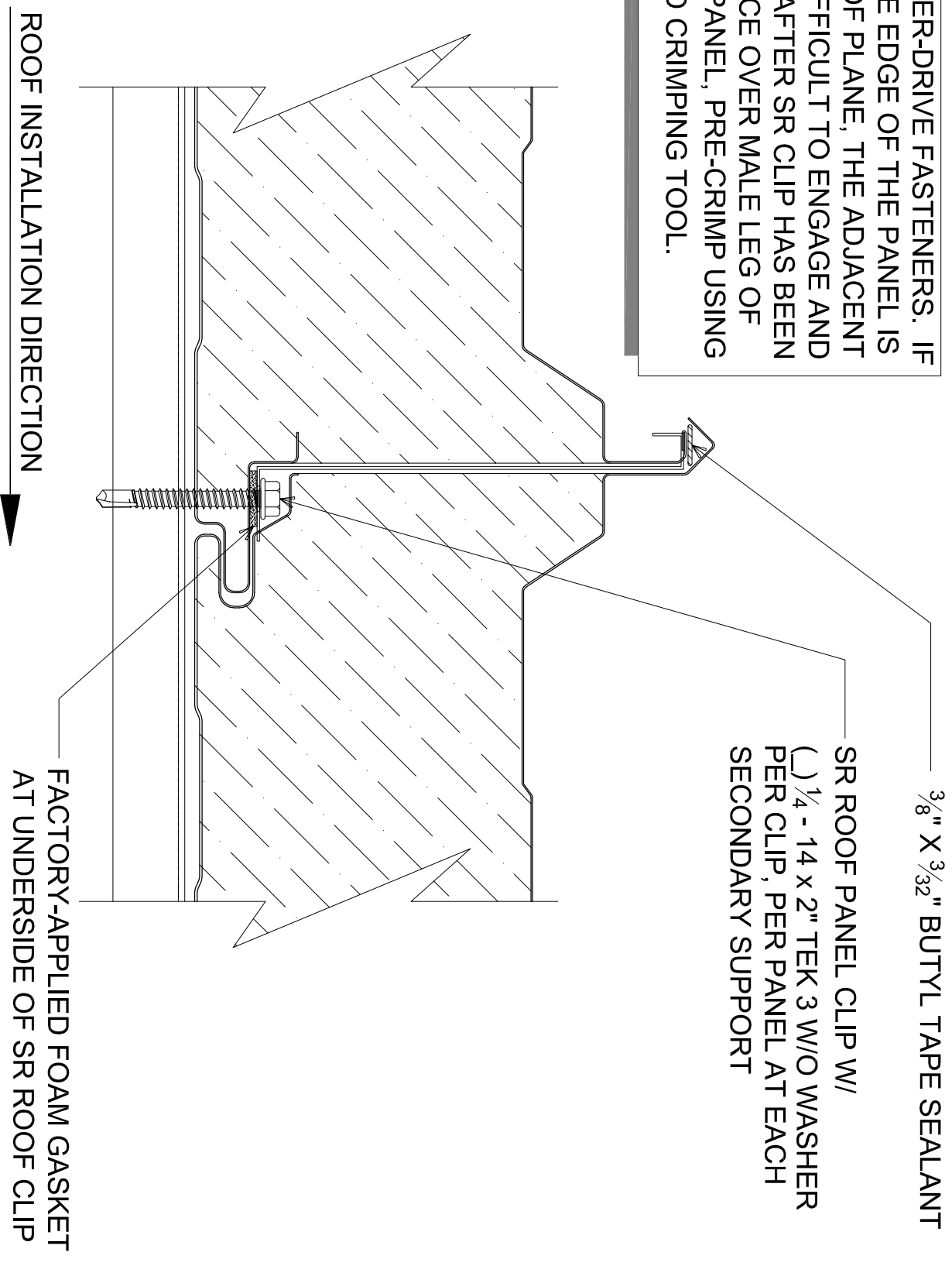


NOTE: DO NOT OVER-DRIVE FASTENERS. IF THE METAL AT THE EDGE OF THE PANEL IS DEFORMED OUT OF PLANE, THE ADJACENT PANEL WILL BE DIFFICULT TO ENGAGE AND WILL NOT SEAM. AFTER SR CLIP HAS BEEN INSTALLED IN PLACE OVER MALE LEG OF STANDING SEAM PANEL, PRE-CRIMP USING $\frac{1}{2}$ " (RENTED) HAND CRIMPING TOOL.



STANDING SEAM ROOF PANEL JOINT

(SECTION VIEW)