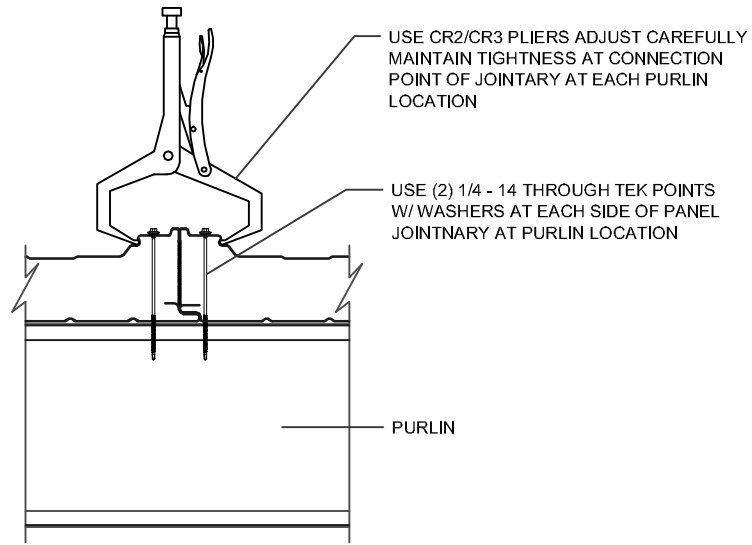
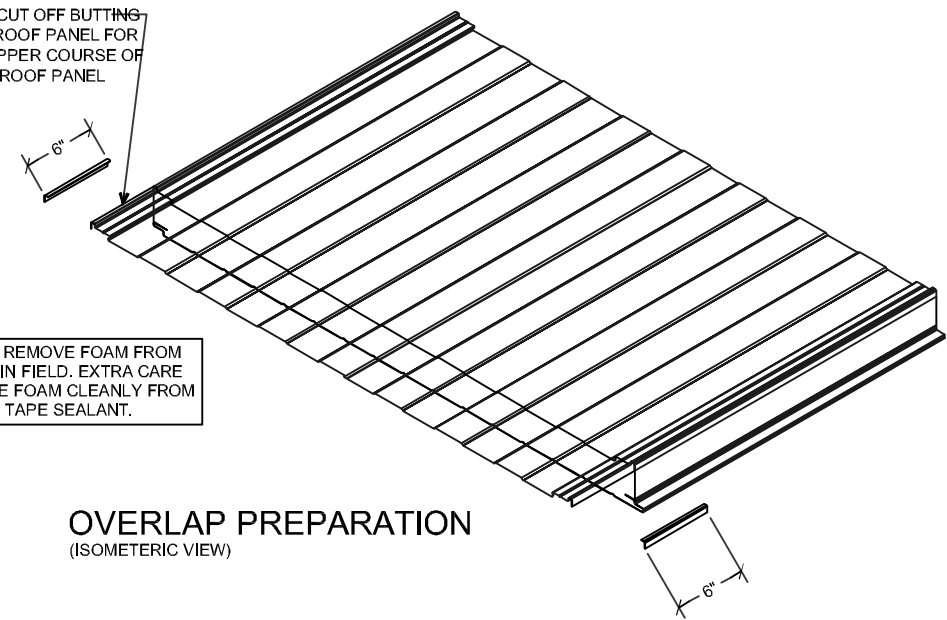


CR2 - ROOF PANEL
 EXTERIOR SIDE : 26 GA. IMPERIAL WHITE (MESA)
 EXTERIOR SIDE : 26 GA. NATURAL GREEN (MESA)
 INTERIOR SIDE : 26 GA. IMPERIAL WHITE (MICRO VEE)



ROOF PANEL JOINT ASSEMBLY
 (SECTION VIEW)

USE POWER NIBBLERS AND CUT OFF BUTTING JOINT RIB AT EACH SIDE OF ROOF PANEL FOR PROPER ENGAGEMENT OF UPPER COURSE OF OVERLAPPING CR-2 OR CR-3 ROOF PANEL

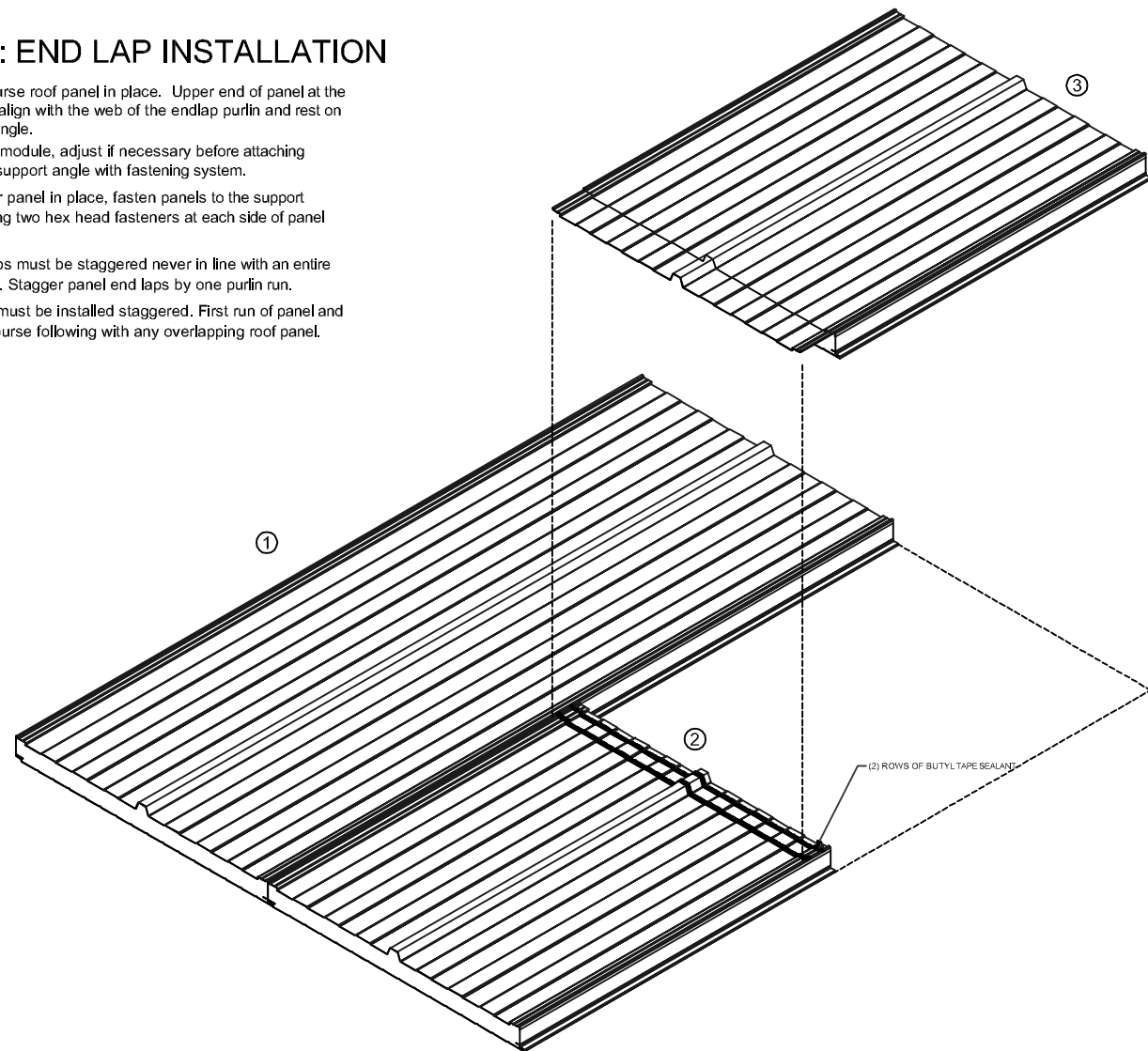


NOTE: CONTRACTOR SHOULD REMOVE FOAM FROM LONGITUDINAL OVERLAPPING IN FIELD. EXTRA CARE SHOULD BE TAKEN TO REMOVE FOAM CLEANLY FROM METAL DIRECTLY OVER BUTYL TAPE SEALANT.

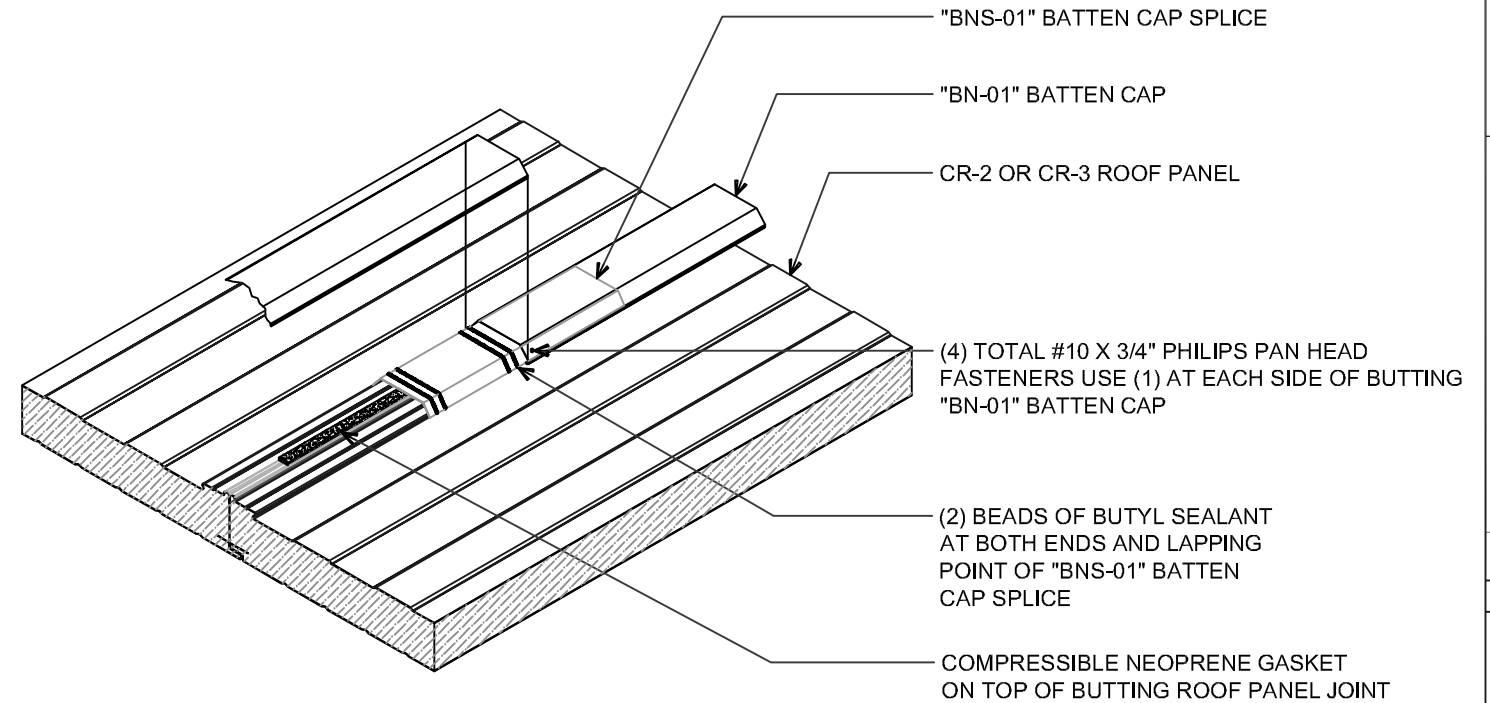
OVERLAP PREPARATION
 (ISOMETRIC VIEW)

NOTE: END LAP INSTALLATION

1. Set lower course roof panel in place. Upper end of panel at the endlap must align with the web of the endlap purlin and rest on the support angle.
2. Check panel module, adjust if necessary before attaching panel to the support angle with fastening system.
3. Set the upper panel in place, fasten panels to the support structure using two hex head fasteners at each side of panel jointary.
4. Panel end laps must be staggered never in line with an entire run of panels. Stagger panel end laps by one purlin run.
5. Roof panels must be installed staggered. First run of panel and then lower course following with any overlapping roof panel.



OVERLAP PREPARATION
 (ISOMETRIC VIEW)



BATTEN CAP END LAP
 (ISOMETRIC VIEW)

JOB NO.	0508951-270
DATE	07/25/08
DRAWN BY	AMP
SCALE	N.T.S.
SHEET	1 OF 1
PROJECT	CR3 INSTALLATION GUIDE
CUSTOMER	Certified Components
LOCATION	Denver, CO
DRAWING SUBMITTAL STATUS	<input type="checkbox"/> FOR CONSTRUCTION <input type="checkbox"/> FOR APPROVAL <input type="checkbox"/> FOR PERMIT ONLY <input checked="" type="checkbox"/> FOR PRELIMINARY <input type="checkbox"/> REVISE & RESUBMIT
<p>ALL WEATHER INSULATED PANELS 929 ALDRIDGE ROAD, VACAVILLE, CA 95688 PHONE: (707) 359-2280 FAX: (707) 359-2286</p>	
REV.	BY DATE