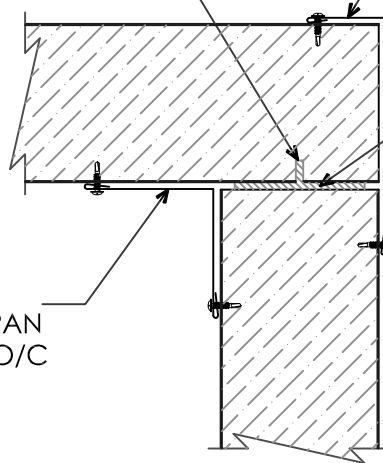


FIELD CUT THERMAL BREAK
(ONLY FREEZER APPLICATIONS)

"OC- " OUTSIDE CORNER
W/ #10 X 3/4" PHILIP PAN
HEAD FASTENERS 12" O/C

INSTA-SEAL FOAM SEALANT
(ONLY FREEZER APPLICATIONS)
(OPTIONAL -- NOT BY AWIP)

"IC-1" INSIDE CORNER
W/ #10 X 3/4" PHILIP PAN
HEAD FASTENERS 12" O/C



CORNER / CEILING TRANSITION

(SECTION VIEW)



929 ALDRIDGE ROAD, VACAVILLE, CA 95688
PHONE: (707) 359-2280 FAX: (707) 359-2286

DETAIL:	CORNER / CEILING TRANSITION	
APPLICATION:	COOLER / FREEZER STORAGE	
DATE: 03/14/07	JOB NO:	XXXXXXXXX
DRAWN: CLR	SHEET:	1 OF 1