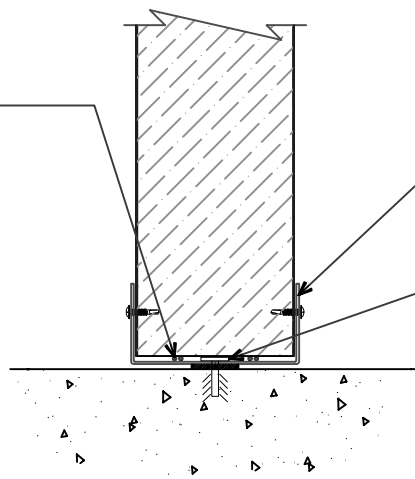


SET PANELS
IN BUTYL SEALANT



BC-01 BASE CHANNEL
W/ #10 X 3/4" PHILIP PAN
HEAD FASTENERS 12" O/C

CONCRETE ANCHORS
(NOT BY AWIP)

FINISH FLOOR PARTITION BASE W/ CHANNEL

(SECTION VIEW)

A ALL WEATHER
INSULATED PANELS

929 ALDRIDGE ROAD, VACAVILLE, CA 95688
PHONE: (707) 359-2280 FAX: (707) 359-2286

DETAIL: FINISH FLOOR PARTITION BASE W/ CHANNEL

APPLICATION: COOLER / FREEZER STORAGE

DATE: 03/20/07

JOB NO: XXXXXXXX

DRAWN: CLR

SHEET: 1 OF 1