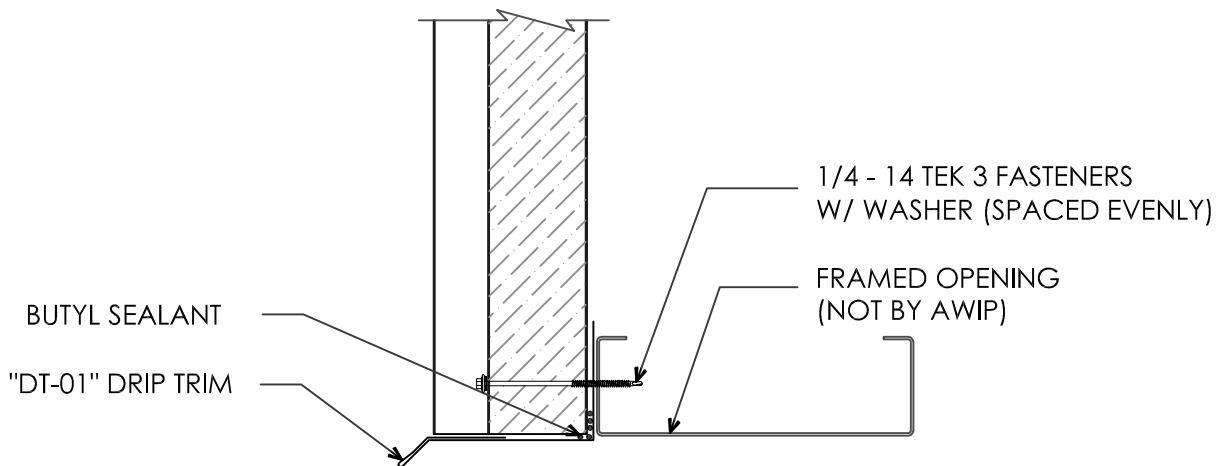


FASTENING SCHEDULE WILL VARY
DEPENDING ON SPECIFIC APPLICATION



FRAMED OPENING AT HEADER

(SECTION VIEW)



929 ALDRIDGE ROAD, VACAVILLE, CA 95688
PHONE: (707) 359-2280 FAX: (707) 359-2286

DETAIL: FRAMED OPENING HEADER

APPLICATION: HR5 - HI RIB VERTICAL WALL

DATE: 04/05/07

JOB NO: XXXXXXXX

DRAWN: CLR

SHEET: 1 OF 1