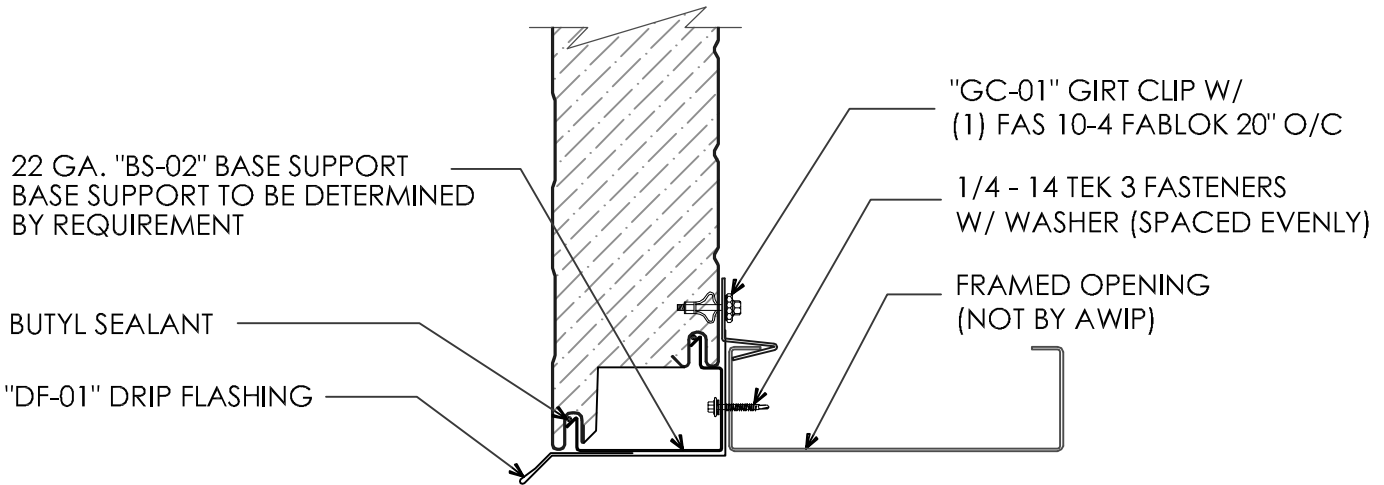


FASTENING SCHEDULE WILL VARY
 DEPENDING ON SPECIFIC APPLICATION



FRAMED OPENING AT HEADER (SECTION VIEW)



929 ALDRIDGE ROAD, VACAVILLE, CA 95688
 PHONE: (707) 359-2280 FAX: (707) 359-2286

DETAIL:	FRAMED OPENING AT HEADER	
APPLICATION:	HORIZONTAL PANEL	
DATE: 04/09/10	JOB NO:	XXXXXXXXX
DRAWN: CLR	SHEET:	1 OF 1