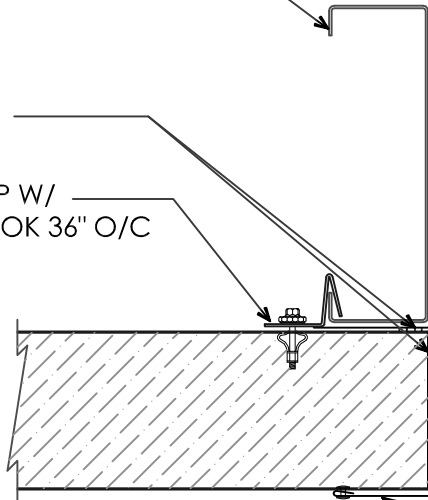


FRAMED OPENING
(NOT BY AWIP)

BUTYL SEALANT

"GC-01" GIRT CLIP W/
(1) FAS 10-4 FABLOK 36" O/C



"CT-01" CAP TRIM W/
POP RIVETS 12" O/C

FRAMED OPENING AT JAMB

(SIMILAR FOR SILLS)

A ALL WEATHER
INSULATED PANELS

929 ALDRIDGE ROAD, VACAVILLE, CA 95688
PHONE: (707) 359-2280 FAX: (707) 359-2286

DETAIL: FRAMED OPENING AT JAMB

APPLICATION: HORIZONTAL PANEL

DATE: 03/21/07

JOB NO: XXXXXXXX

DRAWN: CLR

SHEET: 1 OF 1