

NOTE: FIELD REMOVE FOAM AND LINER

FASTENING SCHEDULE WILL VARY
DEPENDING ON SPECIFIC APPLICATION

HI RIB INSIDE CLOSURE STRIP W/
1/2" X 3/32" BUTYL TAPE SEALANT
BETWEEN ROOF PANEL AND EAVE
TRIM

"EC-02" EAVE CLOSURE
1/4 - 14 X 7/8" STITCH
TEK 6" O/C

1/4 - 14 TEK 3 FASTENERS
W/ WASHER, PER PANEL
(SPACED EVENLY)

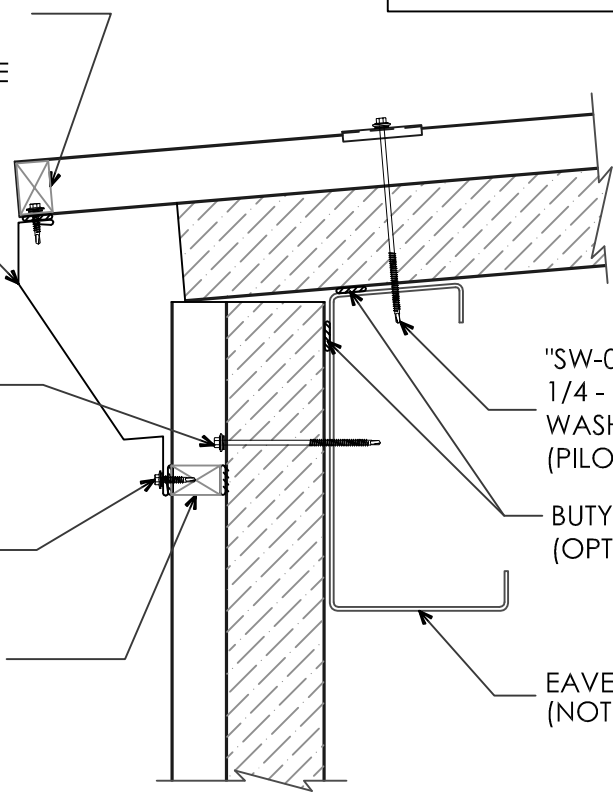
1/4 - 14 X 7/8" STITCH
AT EACH HI RIB

HI RIB OUTSIDE CLOSURE STRIP
SET IN 1/2" X 3/32" BUTYL TAPE
SEALANT AT TOP AND BOTTOM

"SW-01" SADDLE WASHER W/
1/4 - 14 TEK 3 FASTENER W/
WASHER PER PANEL
(PILOT HOLE RECOMMENDED)

BUTYL TAPE
(OPTIONAL)

EAVE STRUT
(NOT BY AWIP)



GUTTERLESS EAVE

(SECTION VIEW)



929 ALDRIDGE ROAD, VACAVILLE, CA 95688
PHONE: (707) 359-2280 FAX: (707) 359-2286

DETAIL:	GUTTERLESS EAVE	
APPLICATION:	HR5 - HI RIB VERTICAL WALL	
DATE: 03/22/07	JOB NO:	XXXXXXXXXX
DRAWN: CLR	SHEET:	1 OF 1