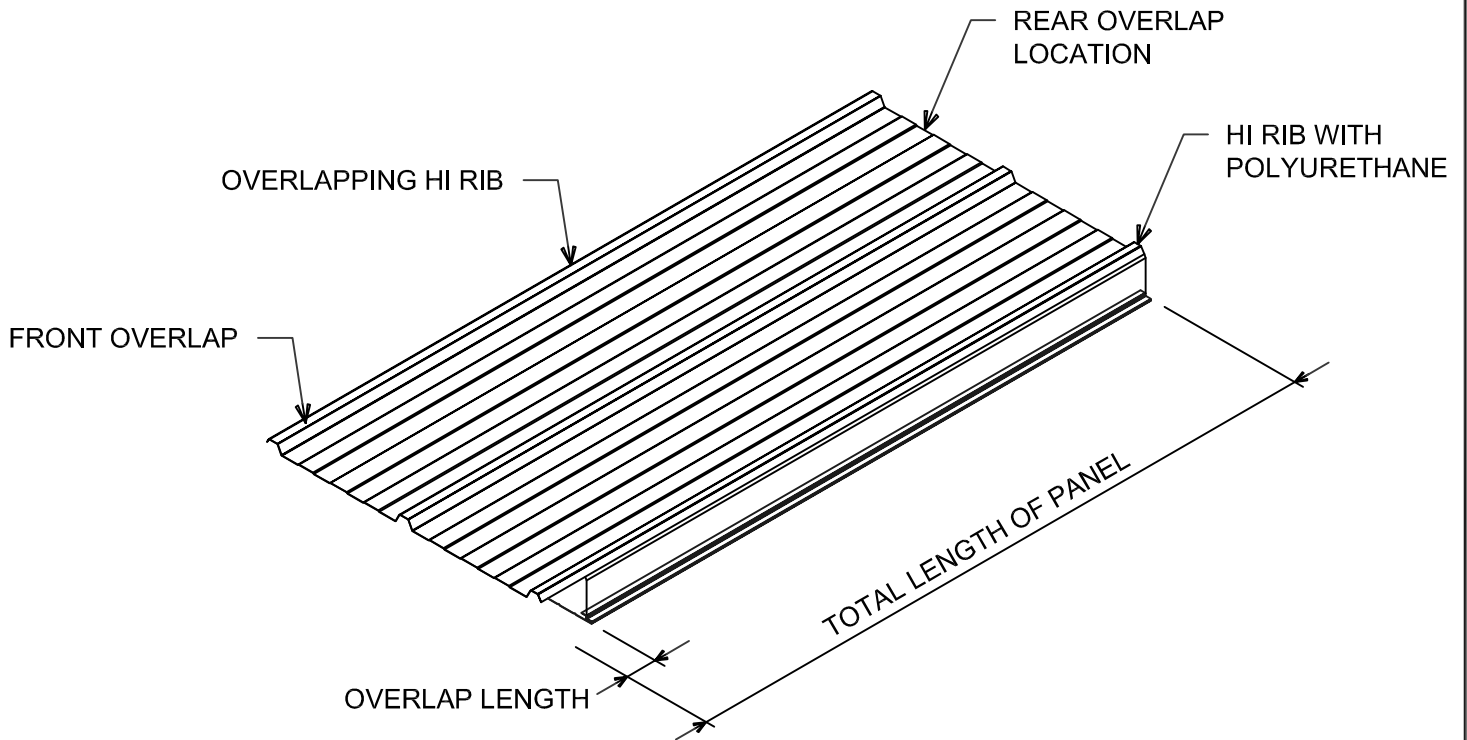


## TYPICAL OVERLAPPING PREPARATION



**NOTES:**

1. RECOMMENDED PANEL TO PANEL ENDLAP = 6"
2. RECOMMENDED OVERLAP AT GUTTERS = 3"
3. RECOMMENDED OVERLAP AT GUTTERLESS EAVE = 4"
4. IF PANEL ERECTION IS LEFT TO RIGHT (LINER CUT AT FRONT)
5. IF PANEL ERECTION IS RIGHT TO LEFT (LINER CUT AT REAR)



929 ALDRIDGE ROAD, VACAVILLE, CA 95688  
 PHONE: (707) 359-2280 FAX: (707) 359-2286

DETAIL: TYPICAL OVERLAPPING PREPARATION

APPLICATION: COMMERCIAL & INDUSTRIAL

DATE: 05/22/07

JOB NO: XXXXXXXX

DRAWN: CLR

SHEET: 1 OF 1