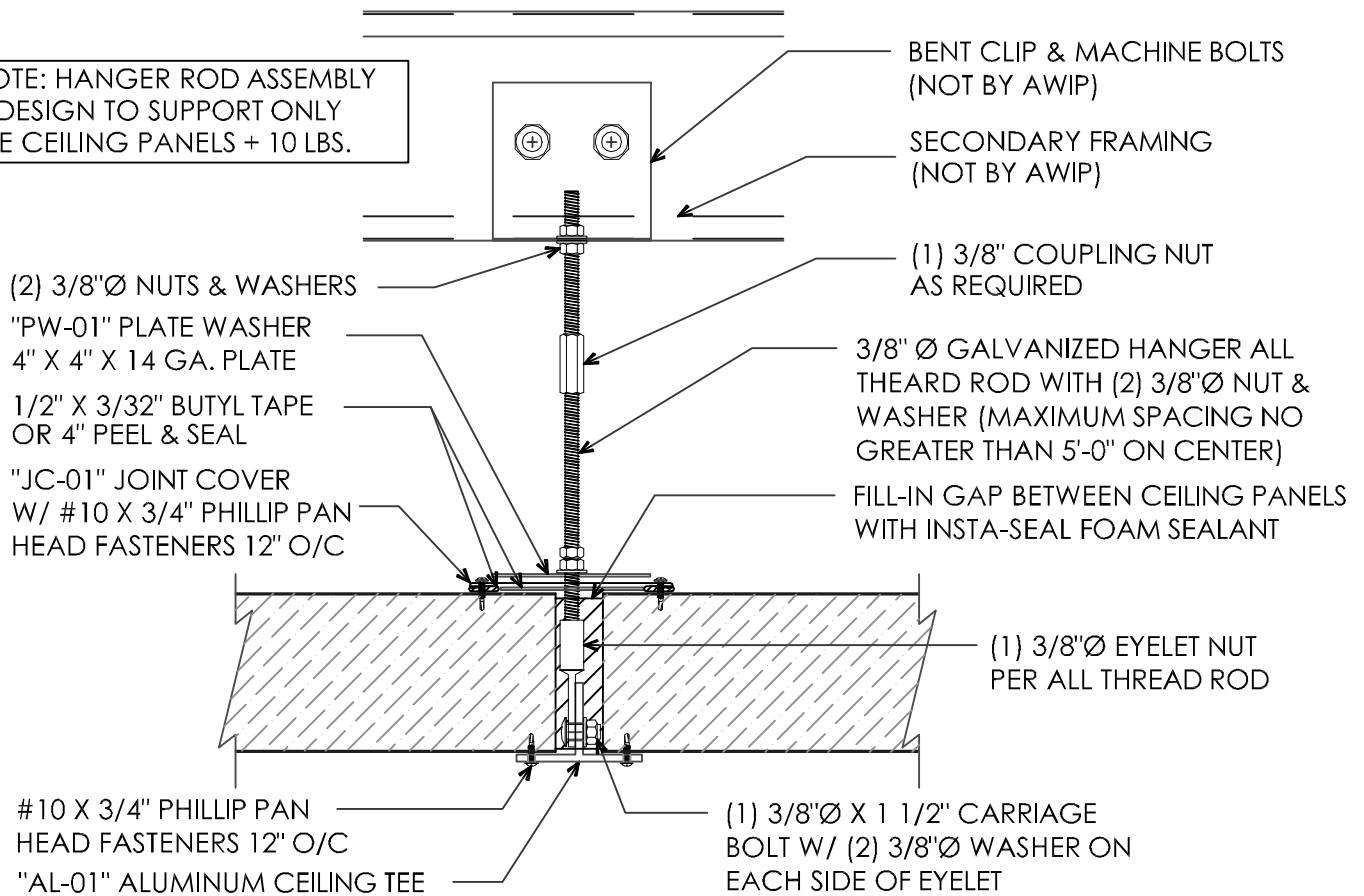


NOTE: HANGER ROD ASSEMBLY IS DESIGN TO SUPPORT ONLY THE CEILING PANELS + 10 LBS.



## HANGER ROD ASSEMBLY W/ ALUMINUM TEE (SECTION VIEW)

**A** ALL WEATHER  
INSULATED PANELS

929 ALDRIDGE ROAD, VACAVILLE, CA 95688  
PHONE: (707) 359-2280 FAX: (707) 359-2286

DETAIL: HANGER ROD ASSEMBLY W/ ALUMINUM TEE

APPLICATION: COOLER / FREEZER STORAGE

DATE: 01/18/08

JOB NO: XXXXXXXXX

DRAWN: CLR

SHEET: 1 OF 1