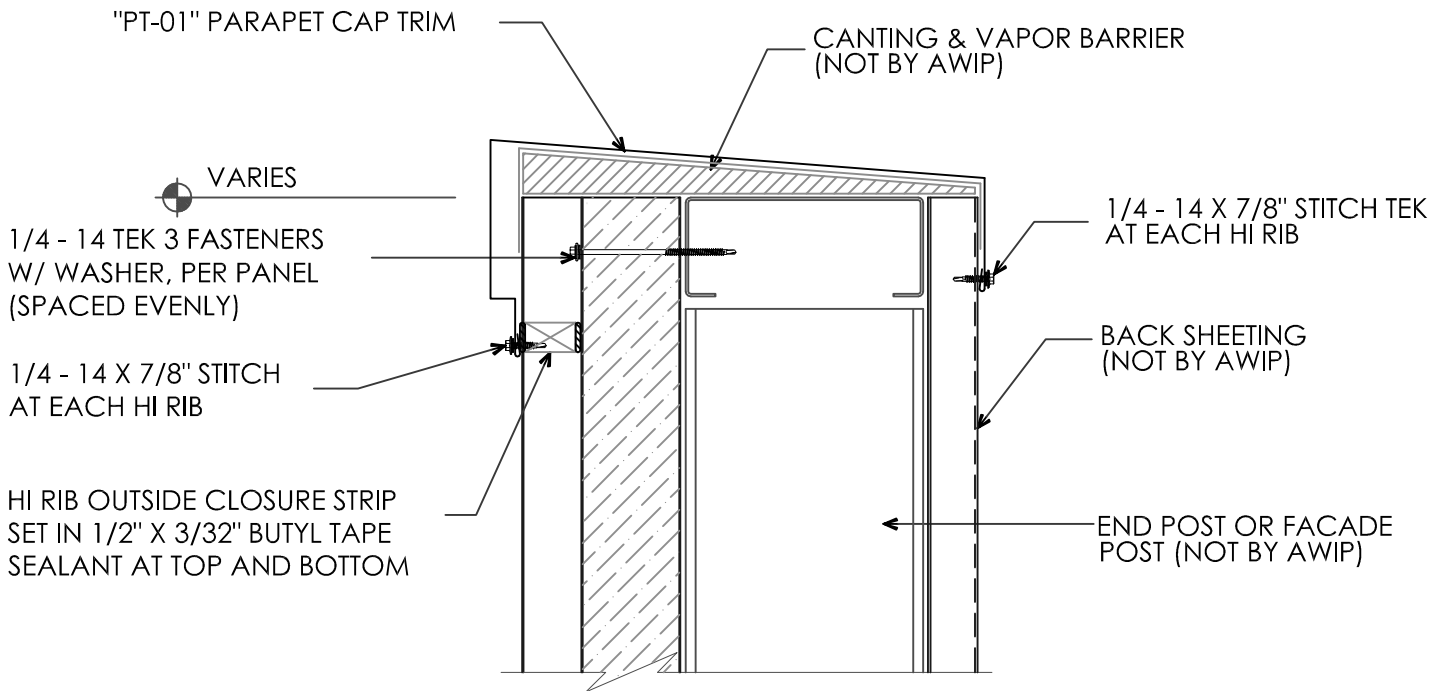


FASTENING SCHEDULE WILL VARY
 DEPENDING ON SPECIFIC APPLICATION



PARAPET WALL (SECTION VIEW)



929 ALDRIDGE ROAD, VACAVILLE, CA 95688
 PHONE: (707) 359-2280 FAX: (707) 359-2286

DETAIL:	PARAPET WALL	
APPLICATION:	HR5 - HI RIB VERTICAL WALL	
DATE: 03/22/07	JOB NO:	XXXXXXXXXX
DRAWN: CLR	SHEET:	1 OF 1