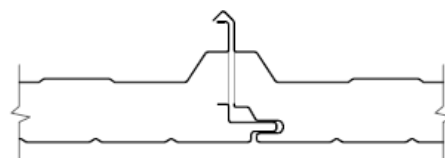
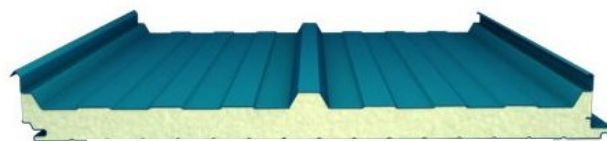


SR3 Standing Seam Roof Panels

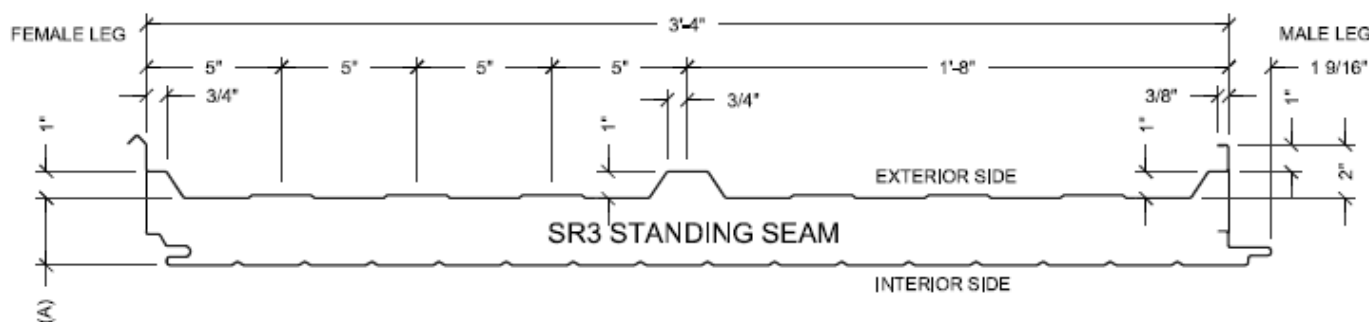
All Weather SR3 mechanically seamed roof panels are an ideal solution to field assembled standing seam roof applications. The SR3 installs quickly and efficiently.

The SR3 panel was developed with an intermediate rib for long span and/or severe loading conditions.



FEATURES AND BENEFITS

- The panel's standing seam joint is self-aligning and allows for easy sealant application at the panel joinery.
- The standard metal surface is 26ga G-90 galvanized steel with composite polyester or ceramic exterior coatings (PVDF coatings available).
- The panel arrives on site in one piece and requires a simple one step installation reducing construction time and costs.



PRODUCT PARAMETERS

Panel Thickness:	3 1/4"	4"	5"	6"
Insulating Values (R):	26	33	42	50
Panel Width:	40"			
Panel Length:	from 8' to 62' maximum			
Insulation Material:	CFC-free foamed-in-place isocyanurate foam 2.2 to 2.5 pcf density			
Joint Configuration:	180° field seamed			
Metal facings:	26ga galvanized steel (22ga, 24ga available)			
Coatings:	polyester, ceramic, PVDF			
Accessories:	fasteners, standing seam clip assemblies, sealants, brake formed flashings			



ALL WEATHER INSULATED PANELS

