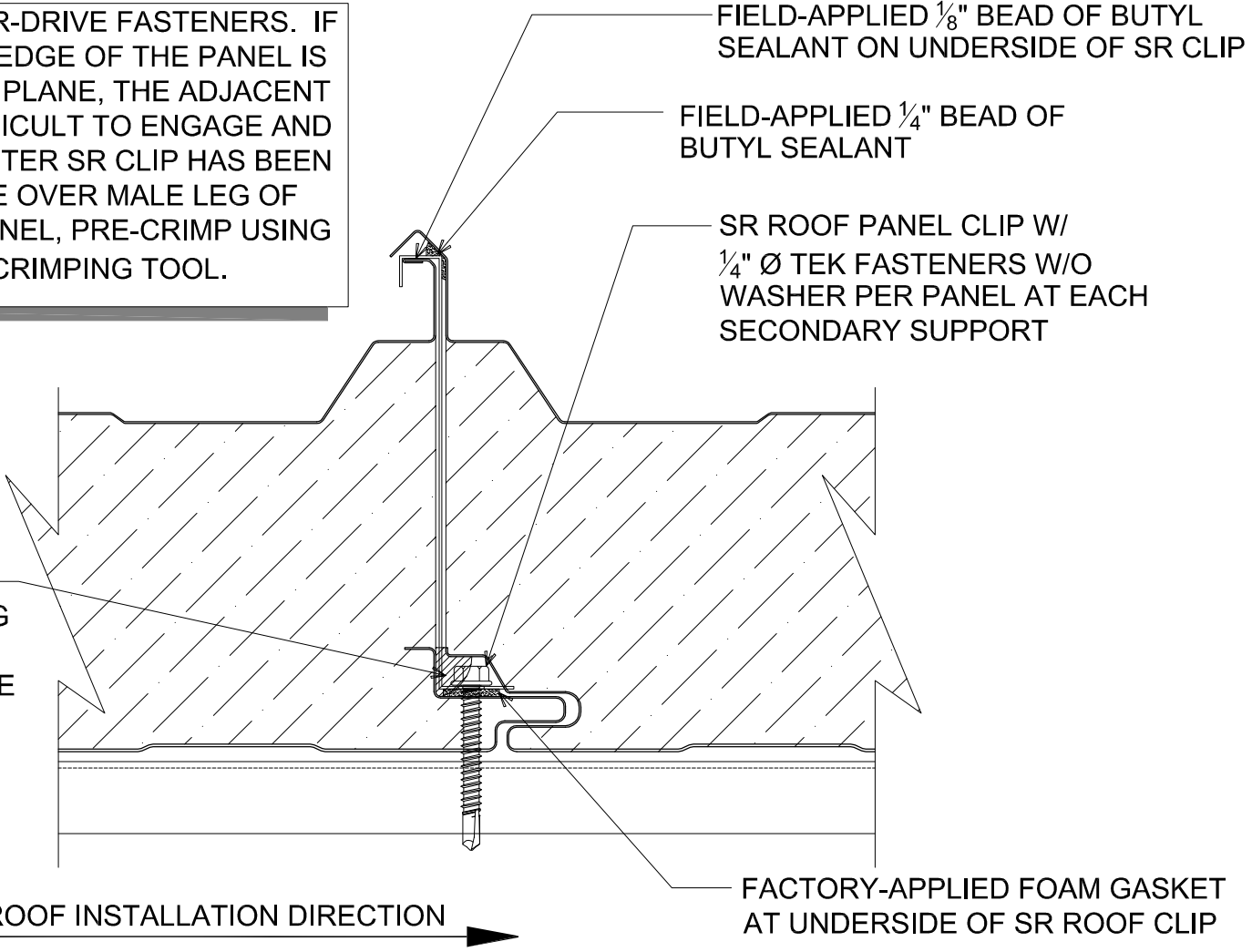


NOTE: DO NOT OVER-DRIVE FASTENERS. IF THE METAL AT THE EDGE OF THE PANEL IS DEFORMED OUT OF PLANE, THE ADJACENT PANEL WILL BE DIFFICULT TO ENGAGE AND WILL NOT SEAM. AFTER SR CLIP HAS BEEN INSTALLED IN PLACE OVER MALE LEG OF STANDING SEAM PANEL, PRE-CRIMP USING 1/2" (RENTED) HAND CRIMPING TOOL.



SR ROOF PANEL JOINT (COLD-STORAGE)
(SECTION VIEW)

DETAIL:	PANEL JOINT - SR ROOF		
APPLICATION:	GENERAL DETAILS - PANEL JOINT		
DATE:	04/28/17	JOB NO:	N/A
DRAWN:	MMF	SHEET:	1 OF 1

US: (888) 970-2947
 CA: (800) 265-6583 (English)
 CA: (800) 567-2582 (French)
 WWW.AWIPANELS.COM

ALL WEATHER
 INSULATED PANELS

