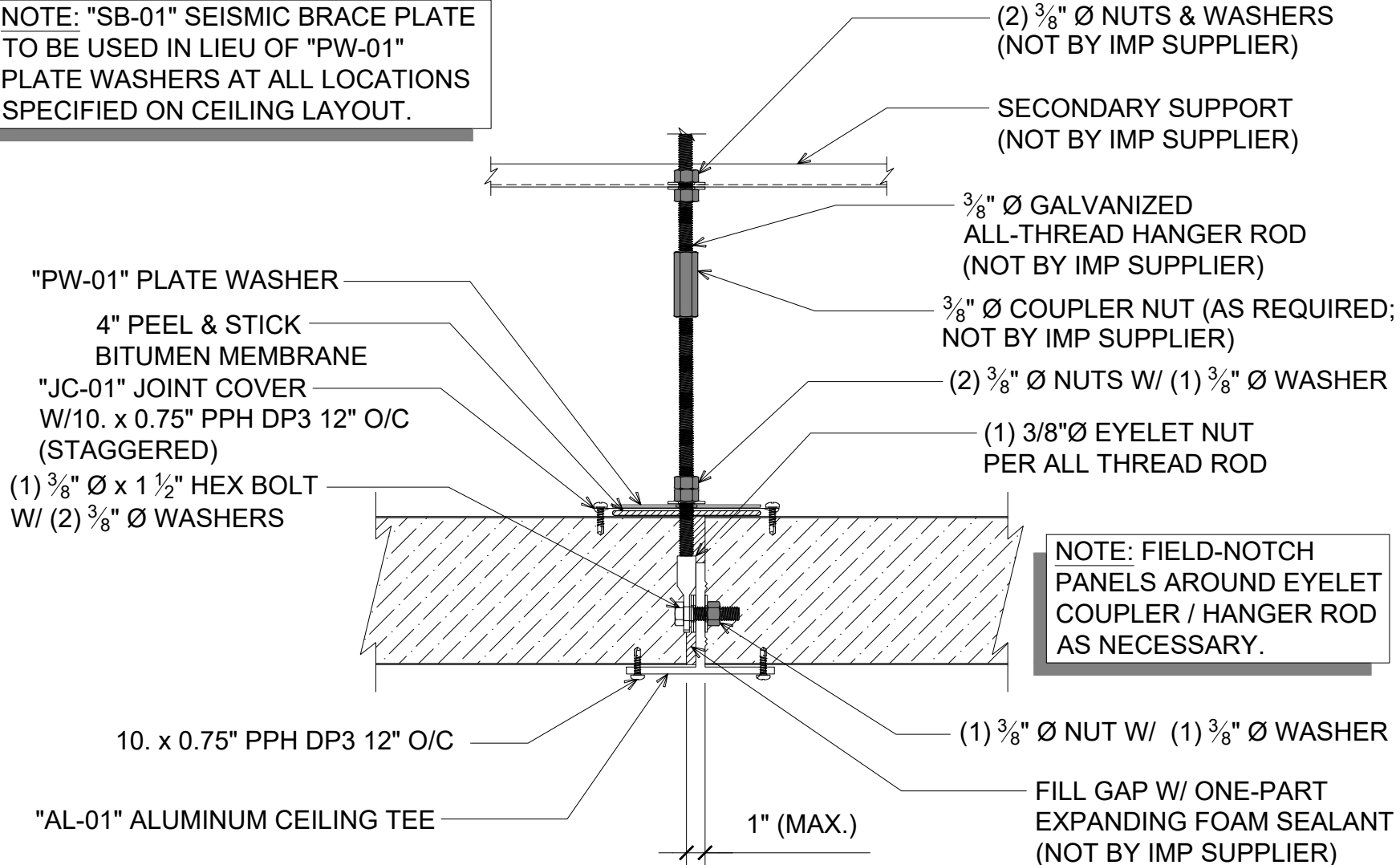


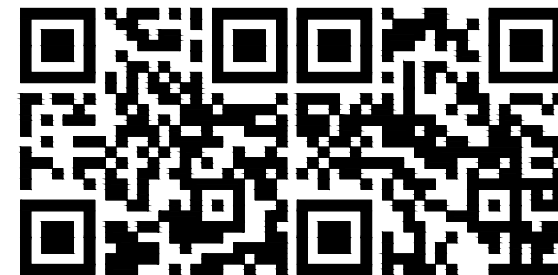
NOTE: "SB-01" SEISMIC BRACE PLATE TO BE USED IN LIEU OF "PW-01" PLATE WASHERS AT ALL LOCATIONS SPECIFIED ON CEILING LAYOUT.



#

SUSPENDED CEILING W/ ALUMINUM TEE (AL-01)

(SECTION VIEW)



DETAIL: SUSPENDED CEILING - AL-01 ALUMINUM TEE

| | | |
|---------------------|--------------------------|------|
| SHEET: | 1 | of 1 |
| DATE: | 12/15/23 | |
| DRAWN BY: | MMF | |
| APPLICATION: | CEILING, AMBIENT, COOLER | |
| AWIP DETAIL NUMBER: | APC-AIIC-SC-002 | |

929 ALDRIDGE ROAD
VACAVILLE, CA 95688
TEL: (707) 359-2280
FAX: (707) 359-2286
WWW.AWIPANELS.COM

