

NOTE: REFER TO JOINERY STITCH FASTENING DETAIL ON SHEET __.

"SF-X1" SILL FLASHING
W/ POP RIVETS 12" O/C

CONTINUOUS BUTYL
SEALANT

() 1/4 - 14 x _ TEK 3
POLARFAST FASTENER PER
PANEL (SEE WALL
FASTENING LAYOUT)

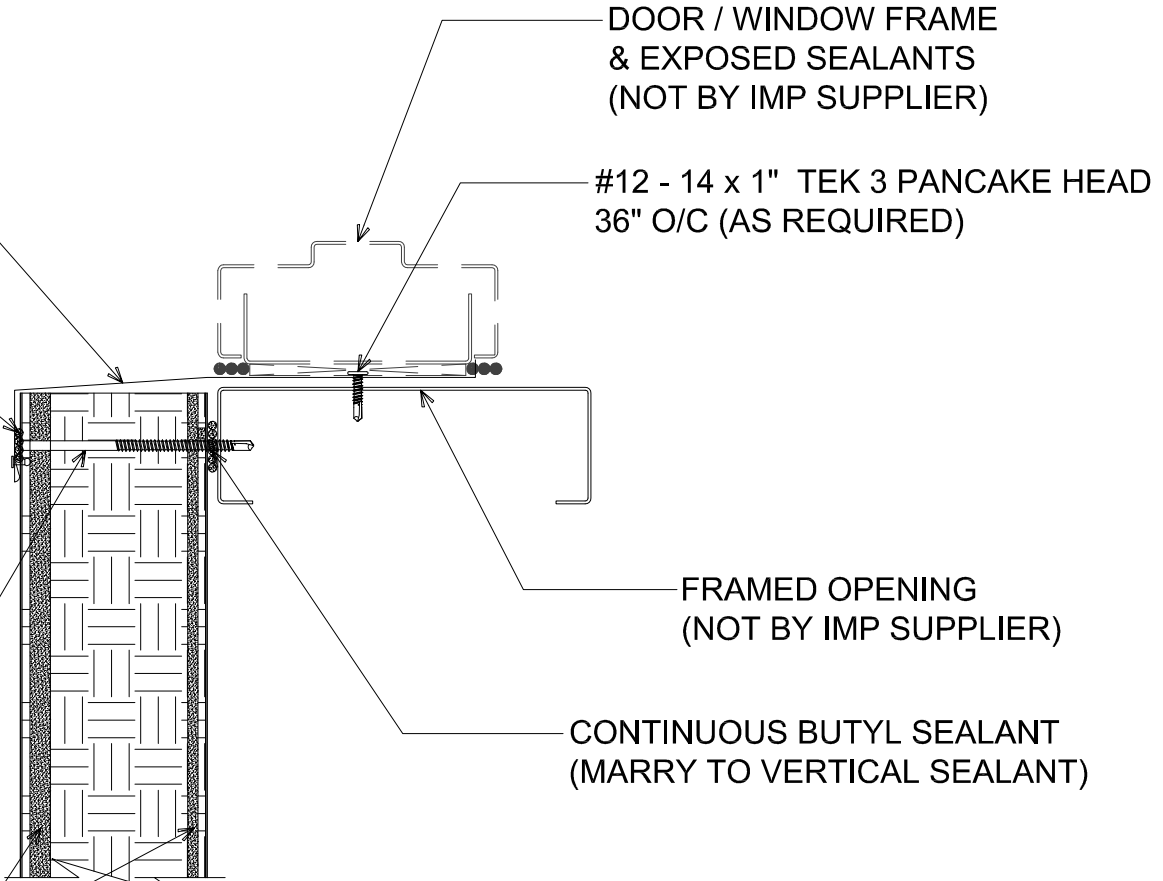
BUTYL SEALANT AT
VERTICAL JOINT

DOOR / WINDOW FRAME
& EXPOSED SEALANTS
(NOT BY IMP SUPPLIER)

#12 - 14 x 1" TEK 3 PANCAKE HEAD
36" O/C (AS REQUIRED)

FRAMED OPENING
(NOT BY IMP SUPPLIER)

CONTINUOUS BUTYL SEALANT
(MARRY TO VERTICAL SEALANT)



FRAMED OPENING ONE PIECE SILL

(SECTION VIEW)

DETAIL:

FRAMED OPENING - SILL

APPLICATION:
VERTICAL FIRE WALL, COMMERCIAL & INDUSTRIAL
AWIP DETAIL NUMBER:
MWW-ACH-FO-003

929 ALDRIDGE ROAD
VACAVILLE, CA 95688
TEL: (707) 359-2280
FAX: (707) 359-2286
WWW.AWIPANELS.COM

