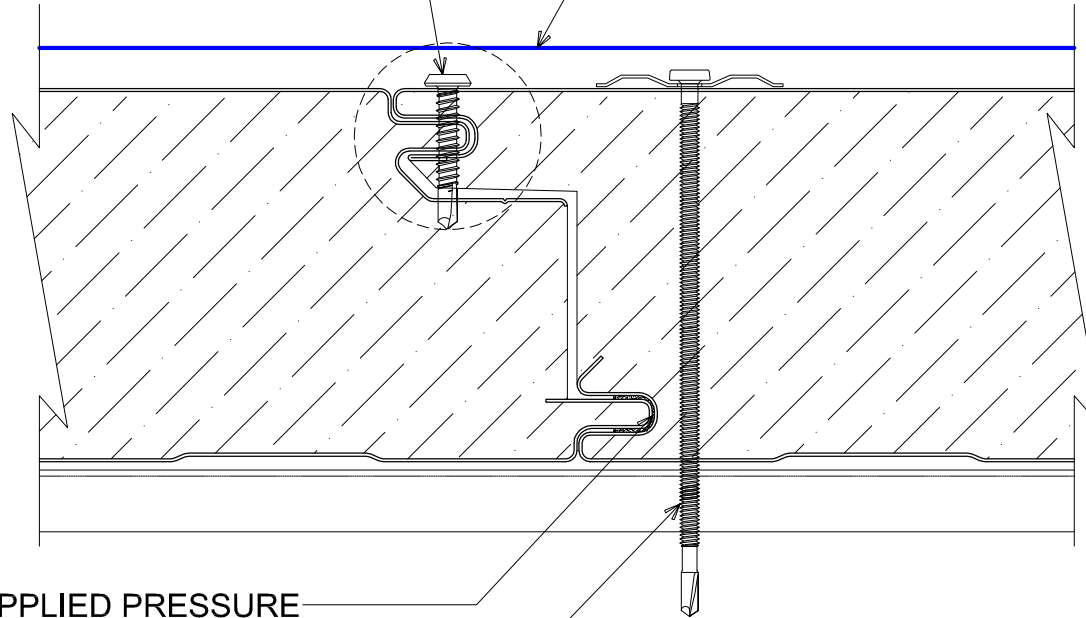
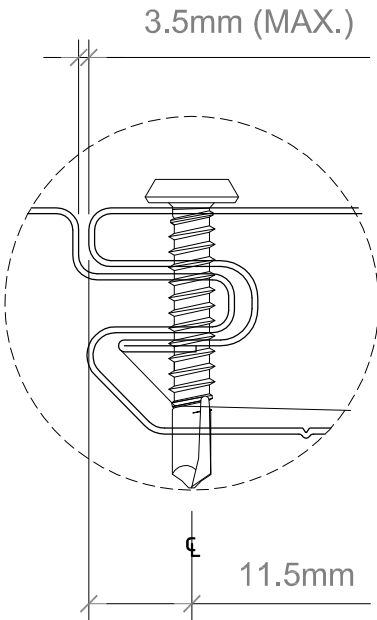


#14 - 13 x 1½" TRUSS HEAD TEK FASTENERS 12" O/C AT JOINERY (ALIGN WITH THROUGH FASTENERS AT THE RAKE)

ONEDEK™ THERMOPLASTIC ROOF MEMBRANE (SEE "ONEDEK™ ROOFING MEMBRANE" FOR ATTACHMENT OPTIONS)



FACTORY-APPLIED PRESSURE DIFFERENTIAL BUTYL SEALANT (NON-SKINNING)

#12 - 24 x _" TRUFAST PURLIN FASTENERS W/ "RP-01" ROOF DECK PLATE

NOTE: FACTORY SEALANT IS APPLIED PRIOR TO THE INLINE CUT OFF SAW AND IS NECESSARY TO LEAVE A 3" TO 5" UNCAULKED SECTION AT PANEL ENDS TO AVOID GETTING CAULKING ON SAW BLADE. THESE AREAS MUST BE FILLED IN THE FIELD.

RD1 PANEL JOINT (C&I)

(SECTION VIEW)

DETAIL:	RD1 PANEL JOINT (C&I)		
	APPLICATION:	RD1 ROOF DECK, COMMERCIAL & INDUSTRIAL	
DATE:	01/22/20	SHEET:	1 OF 1
DRAWN BY:	MMF		
<p>929 ALDRIDGE ROAD VACAVILLE, CA 95688 TEL: (707) 359-2280 FAX: (707) 359-2286 WWW.AWIPANELS.COM</p>			
<p>ALL WEATHER INSULATED PANELS</p> 