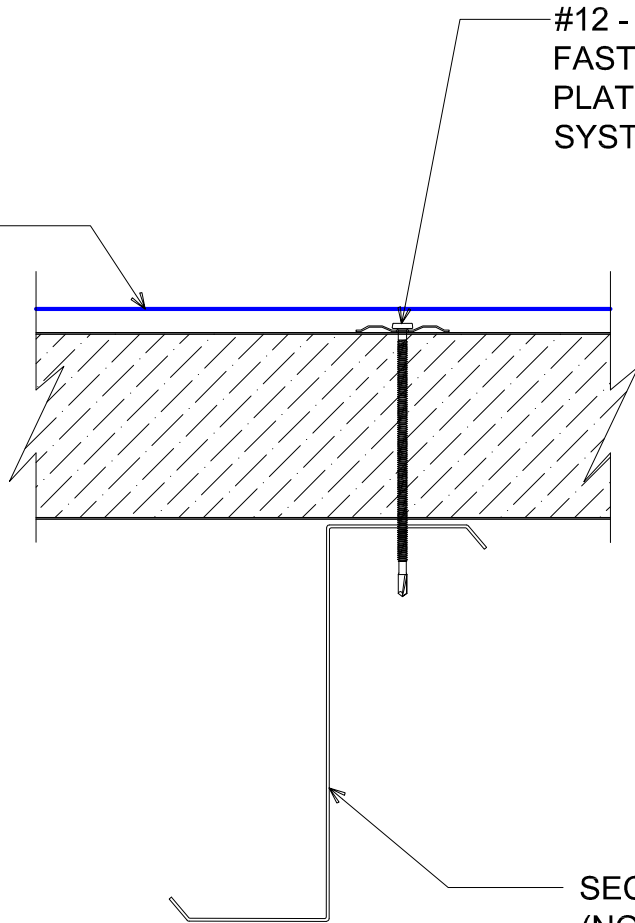


**NOTE: FASTENING SCHEDULE
MAY VARY DEPENDING ON
SPECIFIC APPLICATION.**

ONEDEK™ THERMOPLASTIC
ROOF MEMBRANE
(SEE "ONEDEK™ ROOFING
MEMBRANE" FOR ATTACHMENT
OPTIONS)



#12 - 24 x _" TRUFast PURLIN
FASTENERS W/ "RP-01" ROOF DECK
PLATE (REFER TO RD1 FASTENING
SYSTEM)

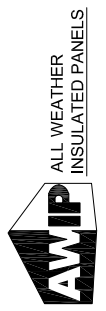
SECONDARY FRAMING
(NOT BY ONEDEK™
SUPPLIER)

INTERMEDIATE RD1 ROOF FASTENING

(SECTION VIEW)

DETAIL:
INTERMEDIATE RD1 ROOF FASTENING

929 ALDRIDGE ROAD
VACAVILLE, CA 95688
TEL: (707) 359-2280
FAX: (707) 359-2286
WWW.AWIPANELS.COM



APPLICATION:
RD1 ROOF DECK, COMMERCIAL & INDUSTRIAL, COLD-STORAGE
AWIP DETAIL NUMBER:
RDR-CICS-IR-001

DATE: 06/18/19
DRAWN BY: MMF
SHEET: 1 OF 1