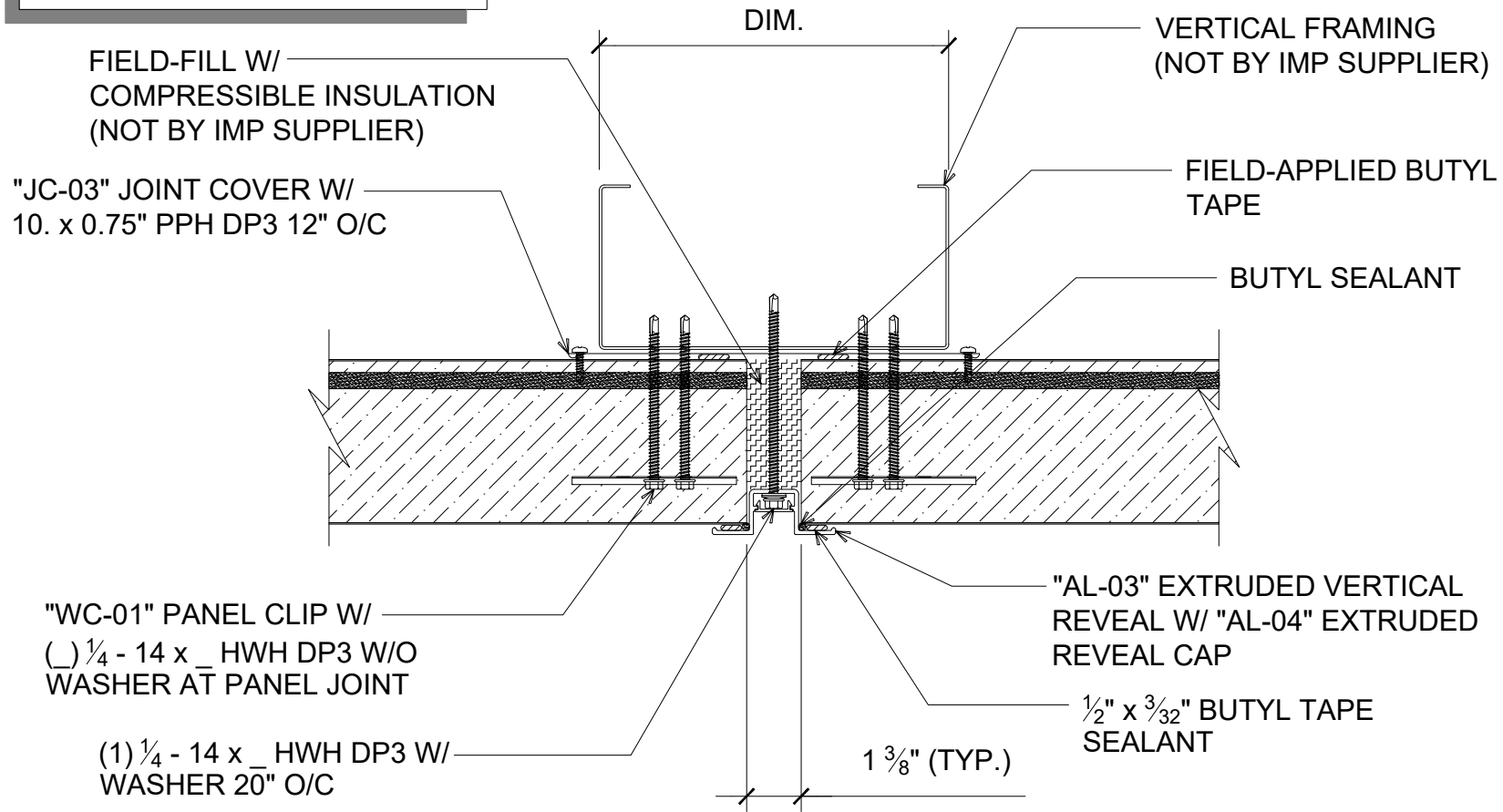
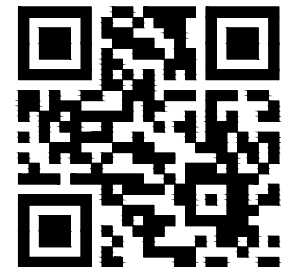


NOTE: "JC-" JOINT COVER MUST TUCK INTO BASE FLASHING .



PANEL TRANSITION AT END JOINT

(PLAN VIEW)



DETAIL: PANEL TRANSITION - END JOINT

APPLICATION:
HORIZONTAL WALL, COMMERCIAL & INDUSTRIAL
AWIP DETAIL NUMBER:
AHW-ACI-PT-001

929 ALDRIDGE ROAD
VACAVILLE, CA 95688
TEL: (707) 359-2280
FAX: (707) 359-2286
WWW.AWIPANELS.COM

All Weather
Insulated Panels



SHEET:
DATE: 10/26/23
DRAWN BY:
MMF

1 OF 1