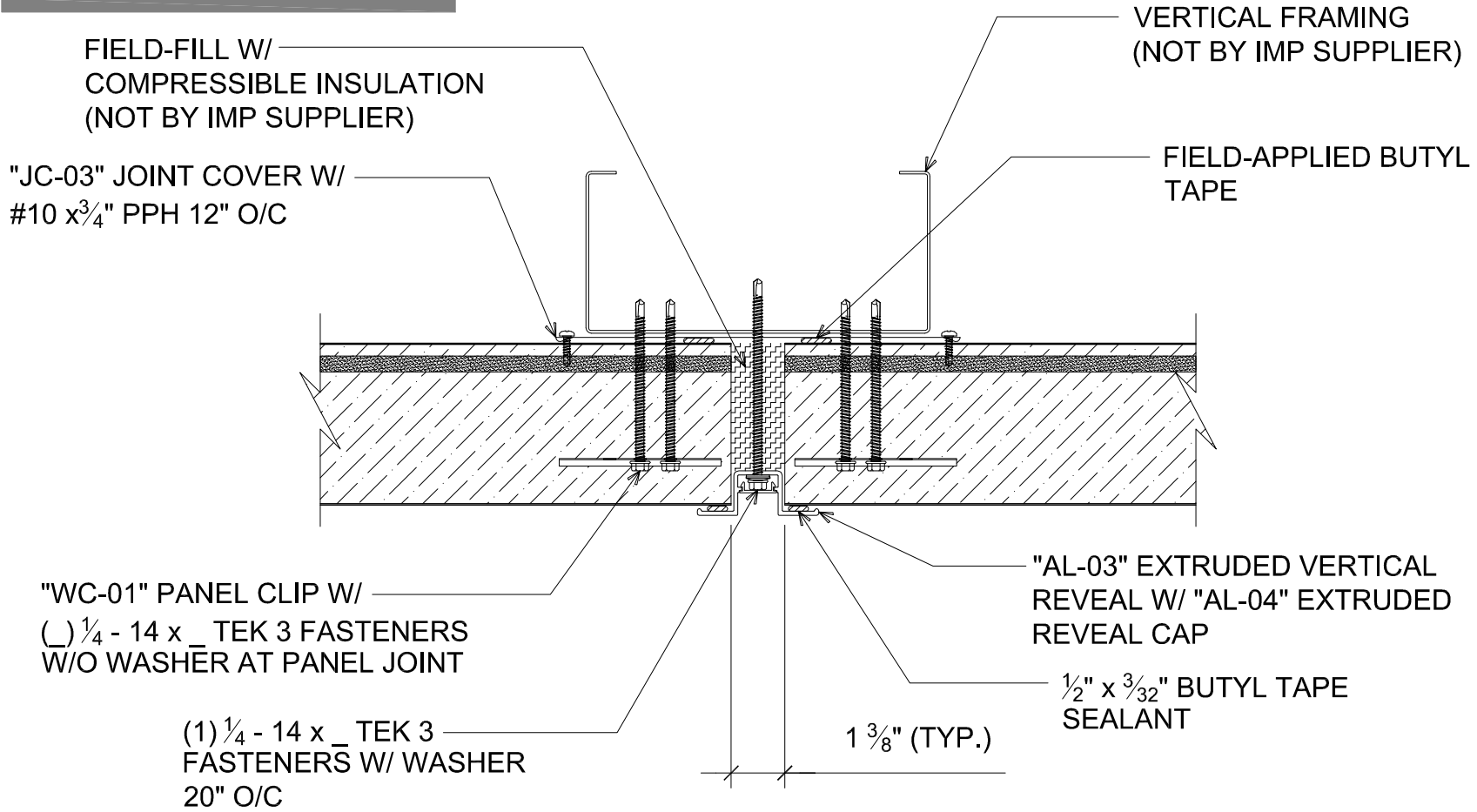


**NOTE: "JC-" JOINT COVER MUST TUCK INTO BASE FLASHING .**



# # PANEL TRANSITION AT END JOINT

(PLAN VIEW)

DETAIL: **PANEL TRANSITION - END JOINT**

929 ALDRIDGE ROAD  
 VACAVILLE, CA 95688  
 TEL: (707) 359-2280  
 FAX: (707) 359-2286  
 WWW.AWIPANELS.COM



APPLICATION:  
 HORIZONTAL WALL, COMMERCIAL & INDUSTRIAL  
 AWP DETAIL NUMBER:  
 AHW-ACI-PT-002

DATE: 04/02/19  
 DRAWN BY: MMF  
 SHEET: 1 OF 1