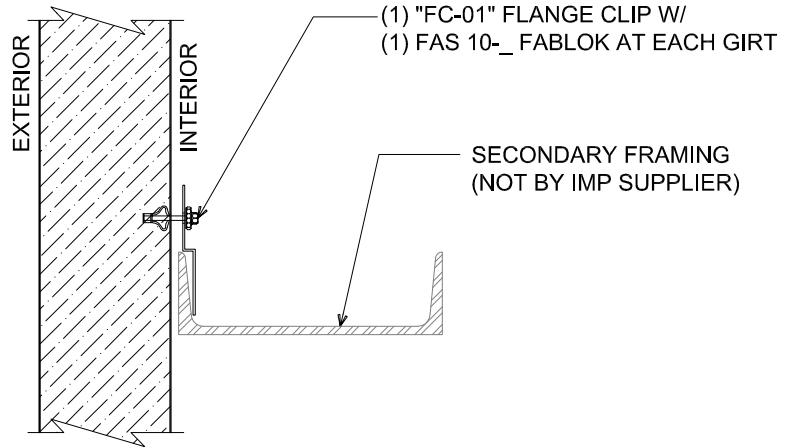
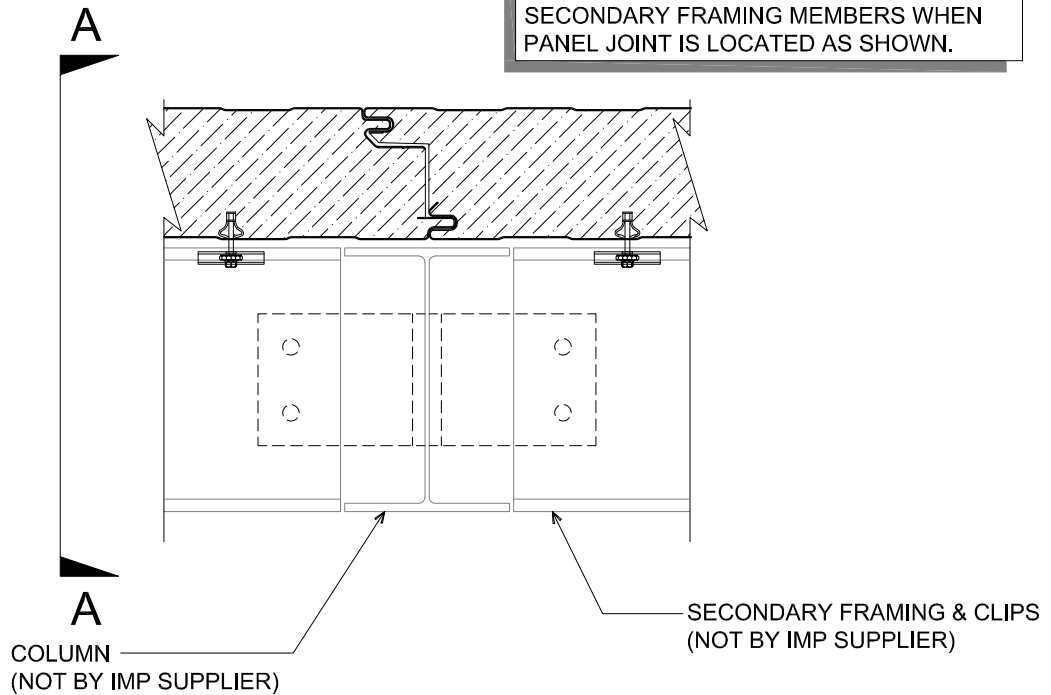


NOTE: JOINERY SEALANT NOT SHOWN FOR CLARITY.



**SECTION A-A**  
(SECTION VIEW)

NOTE: DO NOT ATTACH INSULATED PANELS TO COLUMN FACE. USE FABLOKS AND FLANGE CLIPS TO ATTACH PANELS TO SECONDARY FRAMING MEMBERS WHEN PANEL JOINT IS LOCATED AS SHOWN.



**INTM WALL FASTENING - JOINT AT COLUMN FACE**  
(SECTION VIEW)



929 ALDRIDGE ROAD  
VACAVILLE, CA 95688  
TEL: (707) 359-2280  
FAX: (707) 359-2286  
WWW.AWIPANELS.COM

DETAIL:

**INTERMEDIATE WALL FASTENING-JOINT AT COLUMN FACE**

APPLICATION:  
VERTICAL WALL, COMMERCIAL & INDUSTRIAL  
JOB NUMBER:  
AVW-ACH-IW-003

DATE:  
03/19/19  
DRAWN BY:  
MMF

SHEET:

**1** OF 1