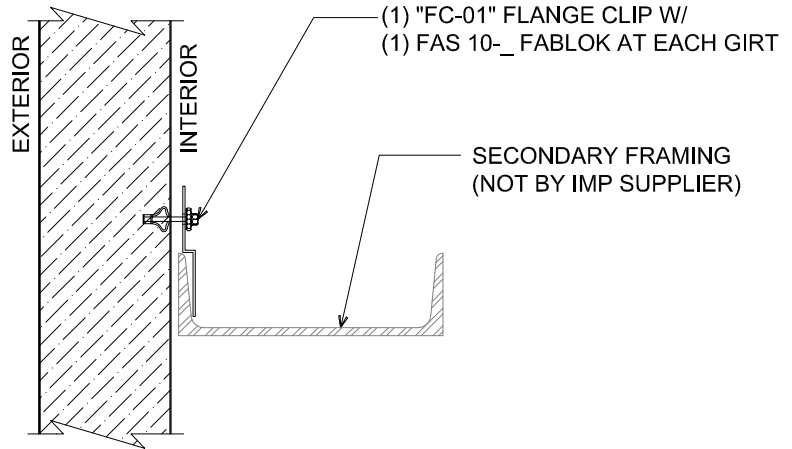
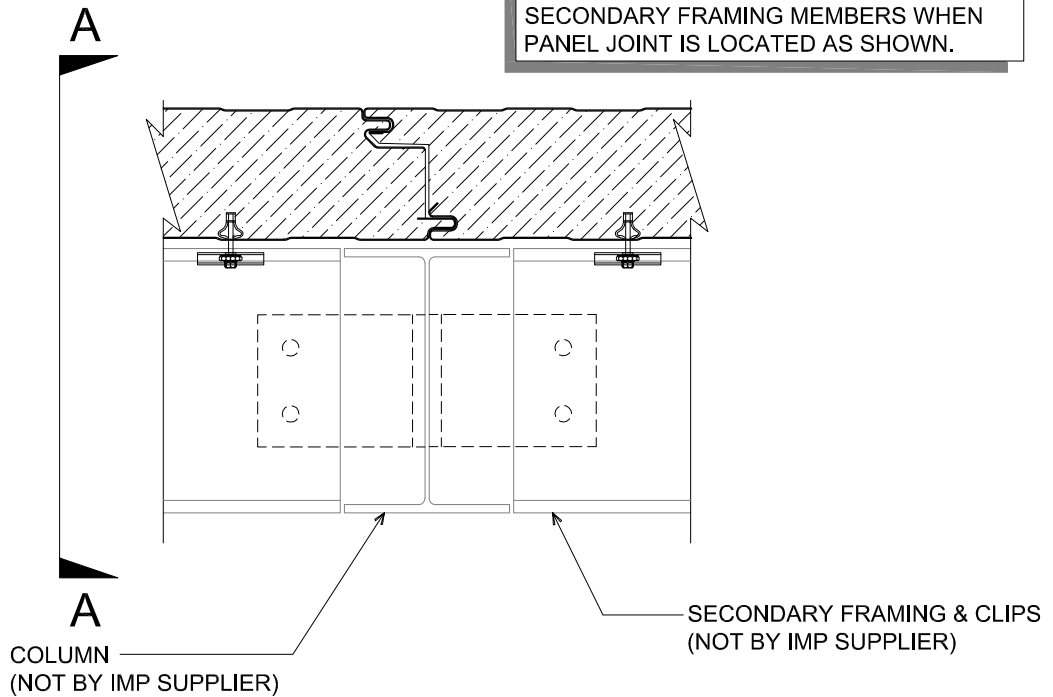


NOTE: JOINERY SEALANT NOT SHOWN FOR CLARITY.



SECTION A-A
(SECTION VIEW)

NOTE: DO NOT ATTACH INSULATED PANELS TO COLUMN FACE. USE FABLOKS AND FLANGE CLIPS TO ATTACH PANELS TO SECONDARY FRAMING MEMBERS WHEN PANEL JOINT IS LOCATED AS SHOWN.



INTM WALL FASTENING - JOINT AT COLUMN FACE
(SECTION VIEW)



929 ALDRIDGE ROAD
VACAVILLE, CA 95688
TEL: (707) 359-2280
FAX: (707) 359-2286
WWW.AWIPANELS.COM

DETAIL:

INTERMEDIATE WALL FASTENING-JOINT AT COLUMN FACE

APPLICATION:
VERTICAL WALL, COMMERCIAL & INDUSTRIAL
AWIP DETAIL NUMBER:
AVW-ACH-W-003

DATE:
03/19/19
DRAWN BY:
MMF

SHEET:

1 OF 1