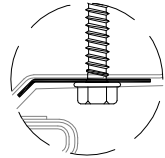
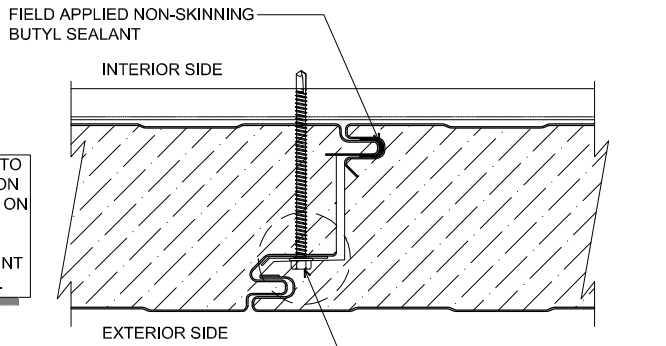


NOTE: REFER TO SECTION 15.2 ON SHEET 7 OF 11 ON WALL PANEL INSTALLATION GUIDE FOR JOINT CONSISTENCY.

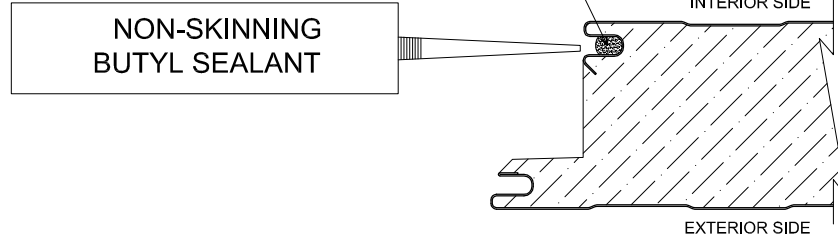


"WC-01" ORIENTATION

PANEL JOINT
(PLAN VIEW)

NOTE: FILL INTERIOR (LINER) SIDE CAVITY WITH 3/8" DIAMETER BEAD (APPROXIMATE) OF NON-SKINNING BUTYL SEALANT (DO NOT UNDER-FILL).

FILL INTERIOR (LINER) SIDE CAVITY WITH 3/8" DIAMETER BEAD (APPROXIMATE) OF NON-SKINNING BUTYL SEALANT (DO NOT UNDER-FILL).



SEALANT PLACEMENT AT PANEL JOINT
(PLAN VIEW)

DETAIL:

PANEL JOINT

APPLICATION:
VERTICAL WALL, COMMERCIAL & INDUSTRIAL
AWIP DETAIL NUMBER:
AWW-ACI-P-J-001

DATE:
03/19/19
DRAWN BY:
MMF

SHEET:
1
OF
1

929 ALDRIDGE ROAD
VACAVILLE, CA 95688
TEL: (707) 359-2280
FAX: (707) 359-2286
WWW.AWIPANELS.COM

