

1/4 - 14 x 7/8" STITCH TEK  
AT EACH HIGH

FILL VOIDS AT HIGH-RIB  
OVERLAP COMPLETELY  
WITH SEALANT  
(NOT BY IMP SUPPLIER)

NOTE: BUTYL SEALANT  
AND BUTYL TAPE TO RUN  
ACROSS FULL WIDTH OF  
PANELS.

(1) ROW OF BUTYL  
TAPE SEALANT

BUTYL TAPE

SUPPORT ANGLE AND  
FASTENERS BY OTHERS  
(NOT BY IMP SUPPLIER)

"CW-01" CONVEX BONDED SEAL WASHER  
W/ 1/4 - 14 x \_ TEK 3 FASTENER W/  
WASHER INTO SUPPORT MEMBER (PILOT  
HOLE RECOMMENDED; SEE ROOF  
FASTENING LAYOUT)

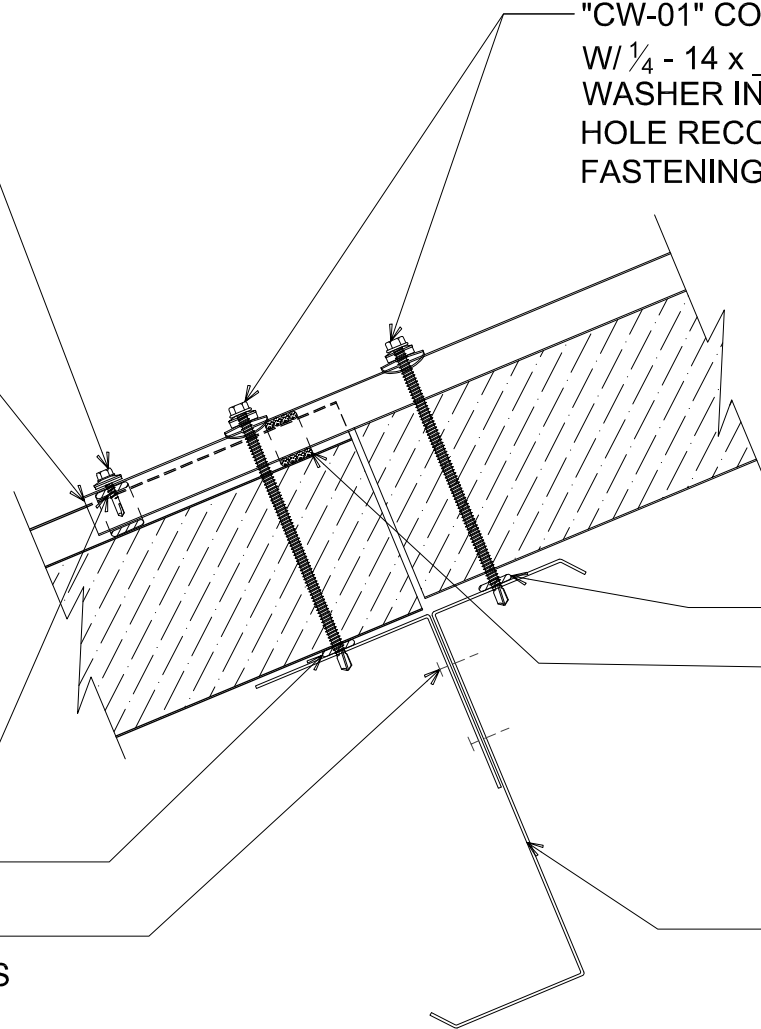
BUTYL TAPE

CONTINUOUS 1/2" Ø BEAD OF  
GUN-GRADE NON-SKINNING  
BUTYL SEALANT AT PANEL  
END-LAP

SECONDARY FRAMING  
(NOT BY IMP SUPPLIER)

# # CW36 ROOF PANEL ENDLAP

(SECTION VIEW)



DETAIL:

**ENDLAP**

APPLICATION:  
CW36 ROOF, COMMERCIAL & INDUSTRIAL  
AWIP DETAIL NUMBER:  
CWR-ACI-EL-001

929 ALDRIDGE ROAD  
VACAVILLE, CA 95688  
TEL: (707) 359-2280  
FAX: (707) 359-2286  
WWW.AWIPANELS.COM

ALL WEATHER  
INSULATED PANELS  
**AWIP**

SHEET:  
DATE: 03/08/19  
DRAWN BY:  
MMF  
1 OF 1