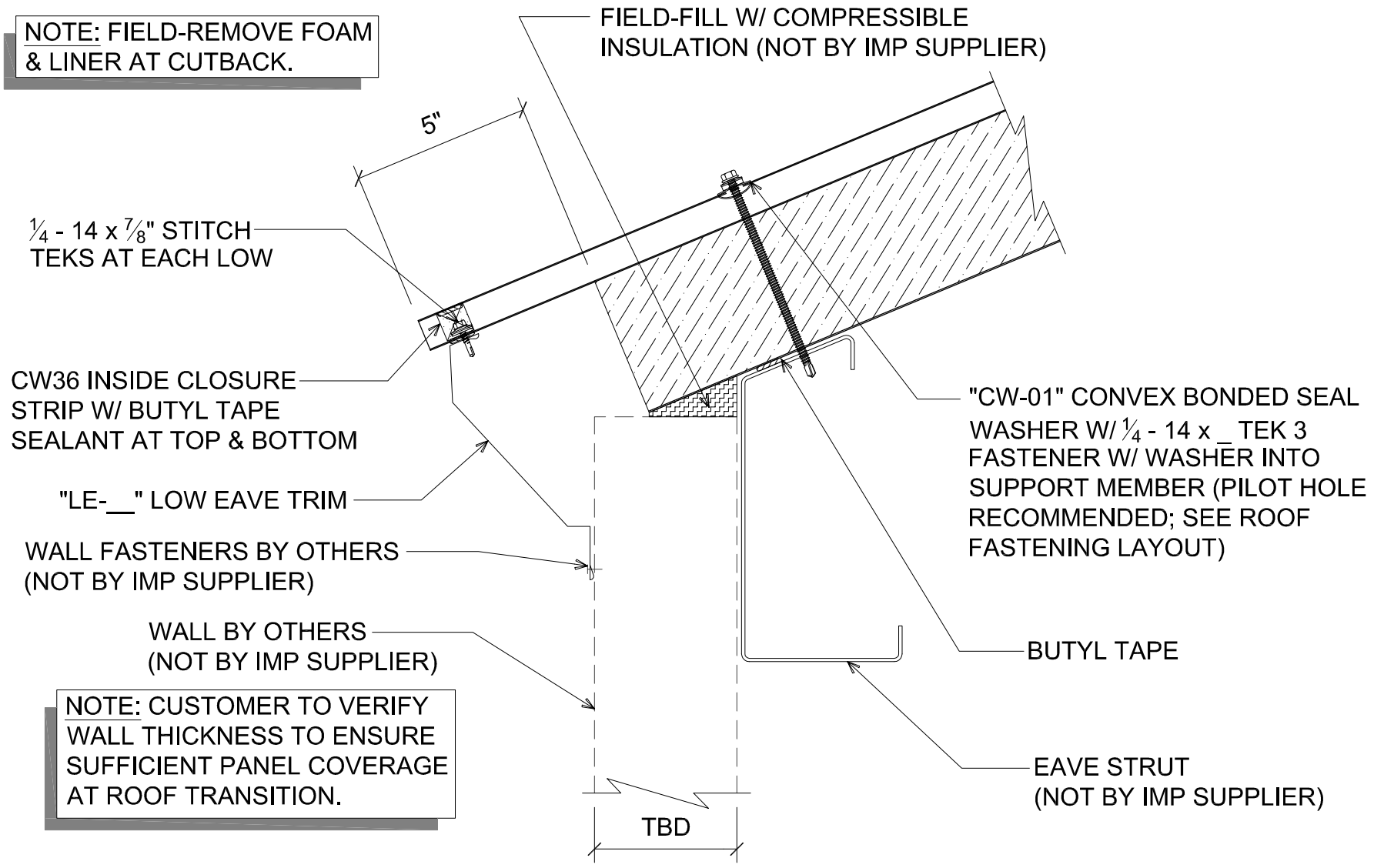


NOTE: FIELD-REMOVE FOAM & LINER AT CUTBACK.



NOTE: CUSTOMER TO VERIFY WALL THICKNESS TO ENSURE SUFFICIENT PANEL COVERAGE AT ROOF TRANSITION.

GUTTERLESS EAVE
(SECTION VIEW)

DETAIL: GUTTERLESS EAVE		SHEET: 1 OF 1
APPLICATION: CW36 ROOF, COMMERCIAL & INDUSTRIAL	DATE: 06/09/20	DRAWN BY: MMF
AWIP DETAIL NUMBER: CWR-ACI-GE-001		

929 ALDRIDGE ROAD
VACAVILLE, CA 95688
TEL: (707) 359-2280
FAX: (707) 359-2286
WWW.AWIPANELS.COM

