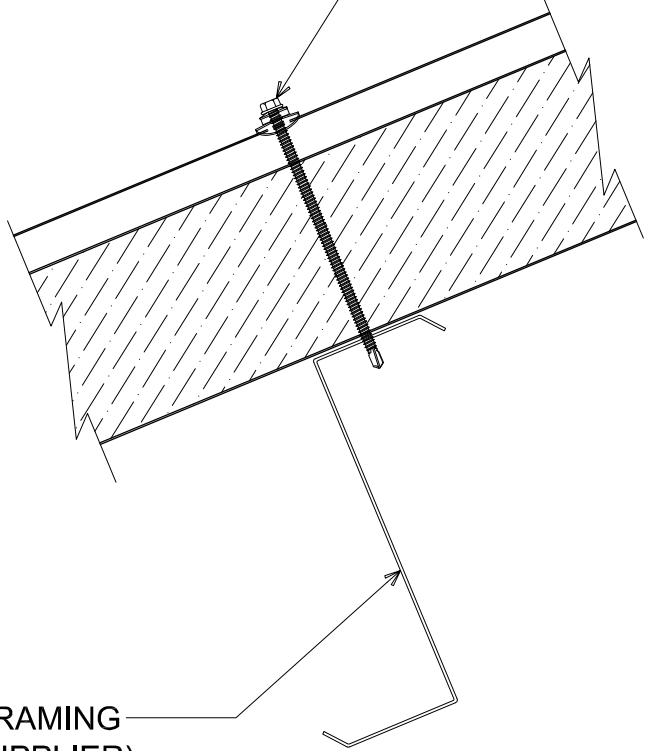


NOTE: FASTENING SCHEDULE  
MAY VARY DEPENDING ON  
SPECIFIC APPLICATION.

"CW-01" CONVEX BONDED SEAL  
WASHER W/ 1/4 - 14 x \_ TEK 3 FASTENER  
W/ WASHER INTO SUPPORT MEMBER  
(PILOT HOLE RECOMMENDED; SEE ROOF  
FASTENING LAYOUT)



SECONDARY FRAMING  
(NOT BY IMP SUPPLIER)

# CW36 INTERMEDIATE ROOF FASTENING

(SECTION VIEW)

DETAIL:  
**INTERMEDIATE ROOF FASTENING**

APPLICATION:	DATE:	SHEET:
CW36 ROOF, COMMERCIAL & INDUSTRIAL	03/08/19	1
AWIP DETAIL NUMBER:	DRAWN BY:	OF
CWR-ACHR-001	MMF	1

929 ALDRIDGE ROAD  
VACAVILLE, CA 95688  
TEL: (707) 359-2280  
FAX: (707) 359-2286  
WWW.AWIPANELS.COM

