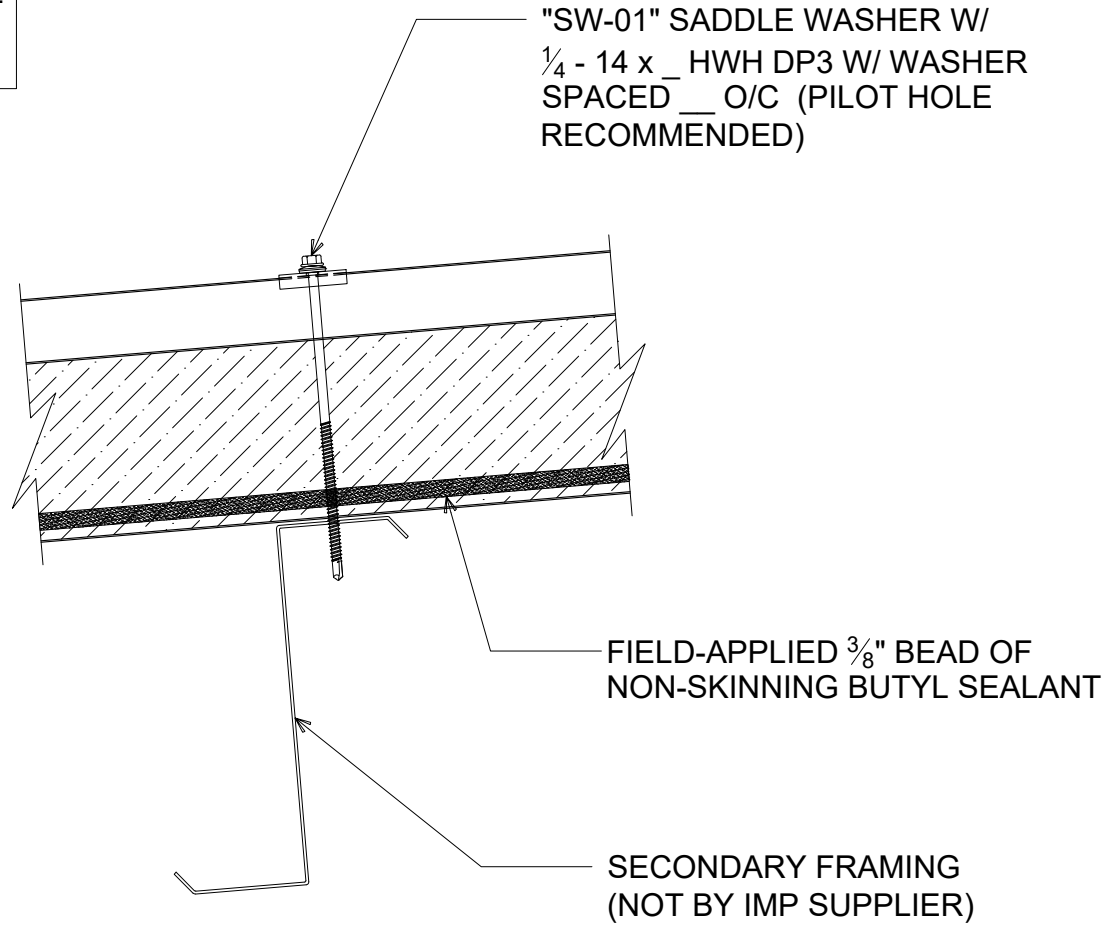


NOTE: FASTENING SCHEDULE
MAY VARY DEPENDING ON
SPECIFIC APPLICATION.



HR ROOF INTERMEDIATE FASTENING

(SECTION VIEW)

DETAIL:

INTERMEDIATE ROOF FASTENING

APPLICATION:

HR ROOF, COMMERCIAL & INDUSTRIAL

AWIP DETAIL NUMBER:

HRR-ACH-IR-001

DATE:

09/29/23

DRAWN BY:

MMF

SHEET:

1

OF 1

929 ALDRIDGE ROAD
VACAVILLE, CA 95688
TEL: (707) 359-2280
FAX: (707) 359-2286
WWW.AWIPANELS.COM

