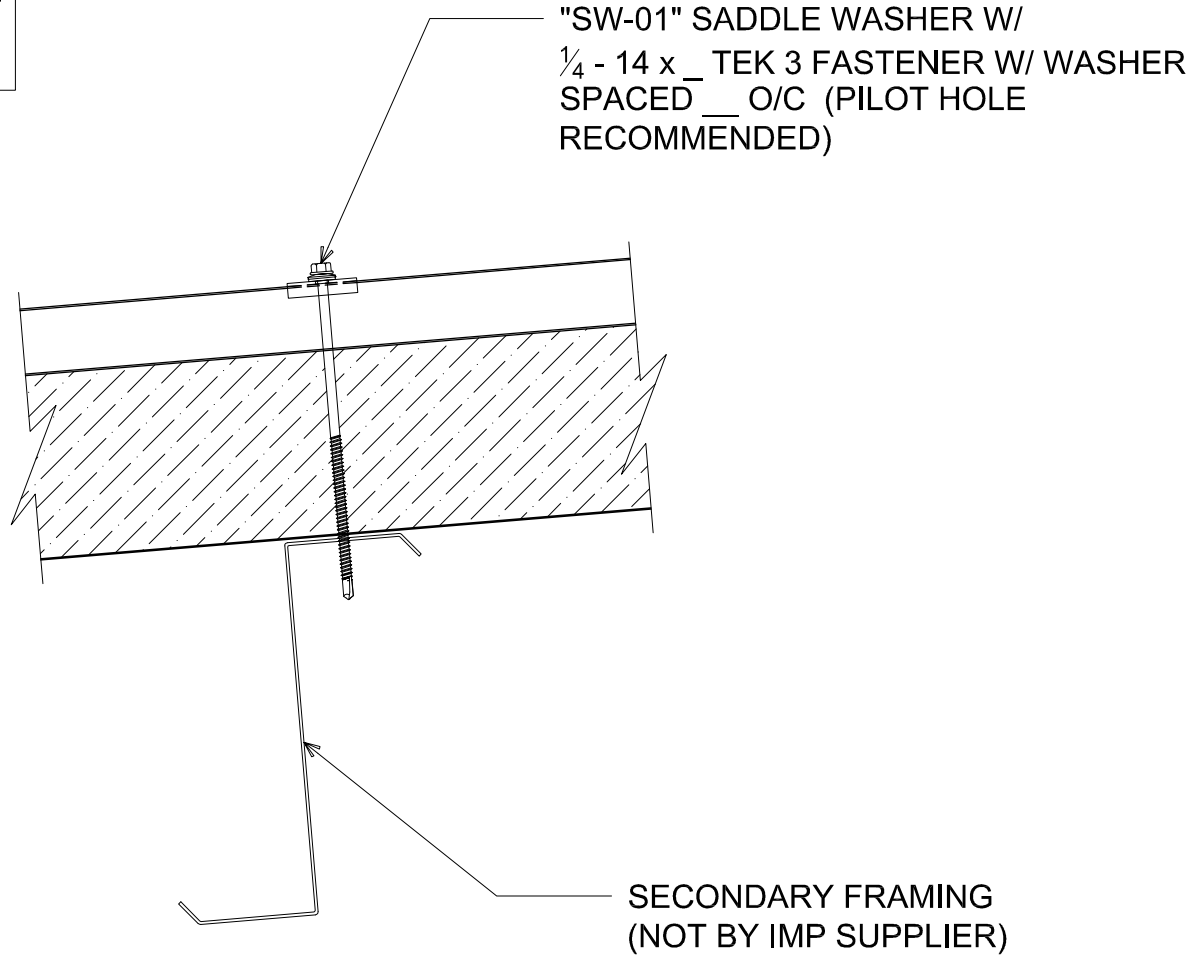


NOTE: FASTENING SCHEDULE
MAY VARY DEPENDING ON
SPECIFIC APPLICATION.



HR ROOF INTERMEDIATE FASTENING

(SECTION VIEW)

DETAIL:
INTERMEDIATE ROOF FASTENING

APPLICATION:
HR ROOF, COMMERCIAL & INDUSTRIAL
AWIP DETAIL NUMBER:
HRR-ACHR-001

DATE: 03/21/19
DRAWN BY: IMF

SHEET:
1 OF **1**

929 ALDRIDGE ROAD
VACAVILLE, CA 95688
TEL: (707) 359-2280
FAX: (707) 359-2286
WWW.AWIPANELS.COM

