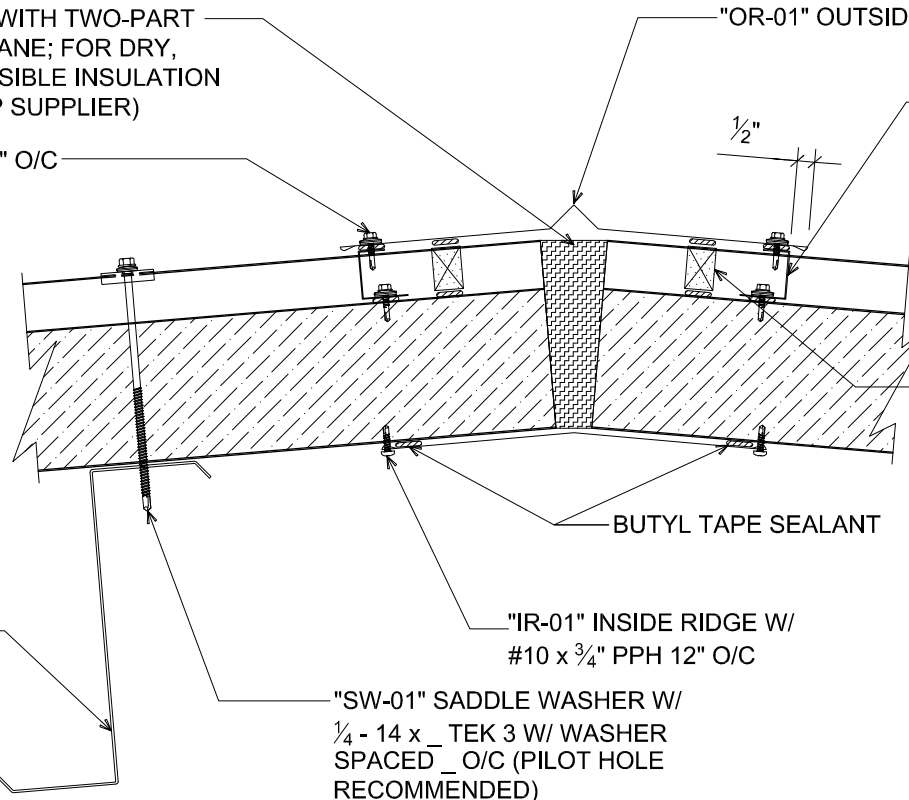


FILL GAP CONTINUOUSLY WITH TWO-PART FOAMED-IN-PLACE URETHANE; FOR DRY, MILD CLIMATES COMPRESSIBLE INSULATION MAY BE USED (NOT BY IMP SUPPLIER)

1/4 - 14 x 7/8" STITCH TEK 12" O/C



"OR-01" OUTSIDE RIDGE

"HRC-_" METAL CLOSURE SET IN 1" x 3/16" BUTYL TAPE SEALANT AT TOP AND BOTTOM; REFER TO SHEET ___ FOR FASTENING INFORMATION

NOTE: BARE HRC- PROVIDED FOR PROJECTS WITH ROOF SLOPE ≤ 1:12 AND EAVE HEIGHT ≥ 20'.

HR_ OUTSIDE CLOSURE STRIP SET IN 1" x 3/16" BUTYL TAPE SEALANT AT TOP AND BOTTOM

BUTYL TAPE SEALANT

"IR-01" INSIDE RIDGE W/ #10 x 3/4" PPH 12" O/C

"SW-01" SADDLE WASHER W/ 1/4 - 14 x _ TEK 3 W/ WASHER SPACED _ O/C (PILOT HOLE RECOMMENDED)

SECONDARY FRAMING BY OTHERS (NOT BY IMP SUPPLIER)

RIDGE APEX

(SECTION VIEW)

DATE:	09/27/19	SHEET:	1	OF	1
DRAWN BY:	MMF				
APPLICATION: HR ROOF, COMMERCIAL & INDUSTRIAL					
AWIP DETAIL NUMBER: HRR-ACH-RA-001					

DETAIL: **RIDGE APEX**

929 ALDRIDGE ROAD
VACAVILLE, CA 95688
TEL: (707) 359-2280
FAX: (707) 359-2286
WWW.AWIPANELS.COM

ALL WEATHER
INSULATED PANELS