

"WC-01" PANEL CLIP W/
() $\frac{1}{4}$ - 14 x _ TEK 3 FASTENERS
W/O WASHER AT PANEL JOINT

BUTYL SEALANT AT
VERTICAL JOINT

BUTYL SEALANT
(MARRY TO VERTICAL SEALANT)

FIELD-FILL WITH
COMPRESSIBLE INSULATION
(NOT BY IMP SUPPLIER)

() $\frac{1}{4}$ - 14 x _ TEK 3
FASTENERS W/ WASHER
AT EACH PURLIN

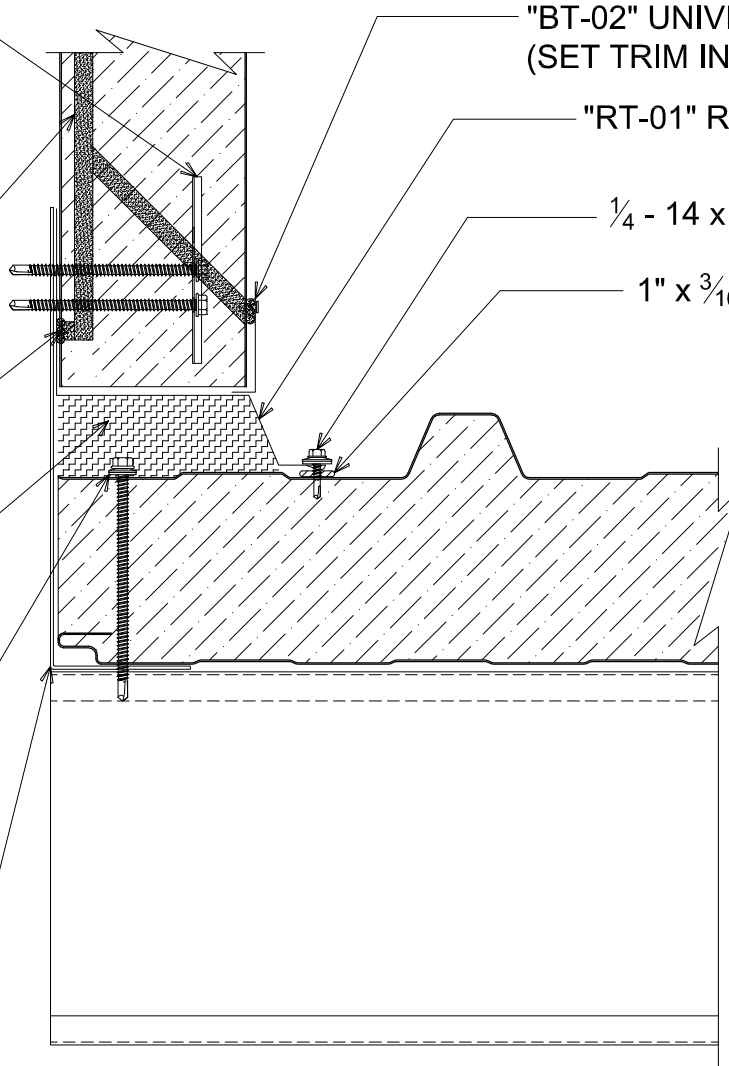
SECONDARY FRAMING
& SUPPORT ANGLE
(NOT BY IMP SUPPLIER)

"BT-02" UNIVERSAL L W/ POP RIVETS 12" O/C
(SET TRIM IN BUTYL SEALANT)

"RT-01" ROOF TO WALL TRIM

$\frac{1}{4}$ - 14 x $\frac{7}{8}$ " STITCH TEK 12" O/C

1" x $\frac{3}{16}$ " BUTYL TAPE SEALANT



RAKE TO WALL

(SECTION VIEW)

DETAIL:

RAKE TO WALL

APPLICATION:
HR ROOF, COMMERCIAL & INDUSTRIAL
AWIP DETAIL NUMBER:
HRR-ACHRW-001

929 ALDRIDGE ROAD
VACAVILLE, CA 95688
TEL: (707) 359-2280
FAX: (707) 359-2286
WWW.AWIPANELS.COM



DATE: 03/21/19
DRAWN BY: IMF
SHEET: 1 OF 1