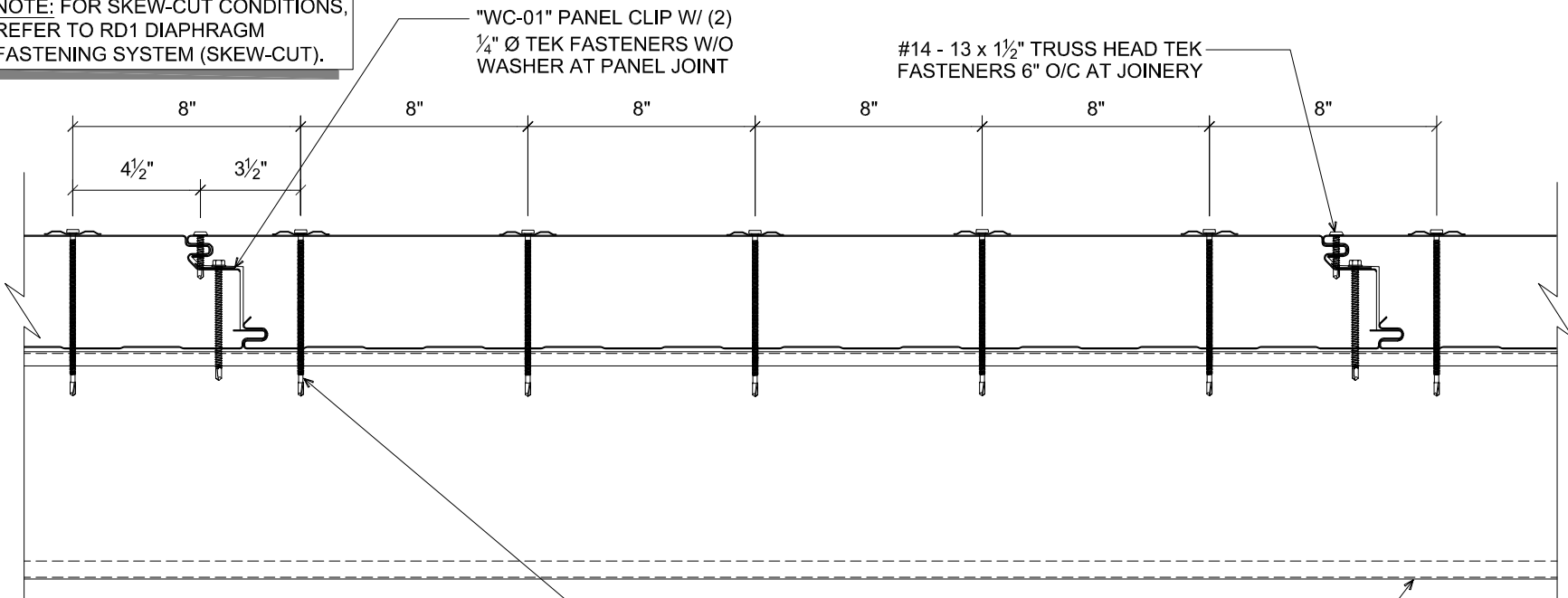


NOTE: FOR SKEW-CUT CONDITIONS,
REFER TO RD1 DIAPHRAGM
FASTENING SYSTEM (SKEW-CUT).



ROOF INSTALLATION DIRECTION →

#12 - 24 x _" TRUFAST PURLIN
FASTENERS W/ "RP-01" ROOF
DECK PLATE

SECONDARY FRAMING
(NOT BY ONEDECK™
SUPPLIER)

RD1 DIAPHRAGM FASTENING SYSTEM (40/7-6)

(SECTION VIEW)

DETAIL:		RD1 DIAPHRAGM FASTENING SYSTEM (40/7-6)	
APPLICATION:	DATE:	06/10/20	SHEET:
RD1 ROOF DECK, COMMERCIAL & INDUSTRIAL, COLD-STORAGE	DRAWN BY:	MMF	1 OF 1
AWIP DETAIL NUMBER:		RDR-CICS-FS-002	

929 ALDRIDGE ROAD
VACAVILLE, CA 95688
TEL: (707) 359-2280
FAX: (707) 359-2286
WWW.AWIPANELS.COM

