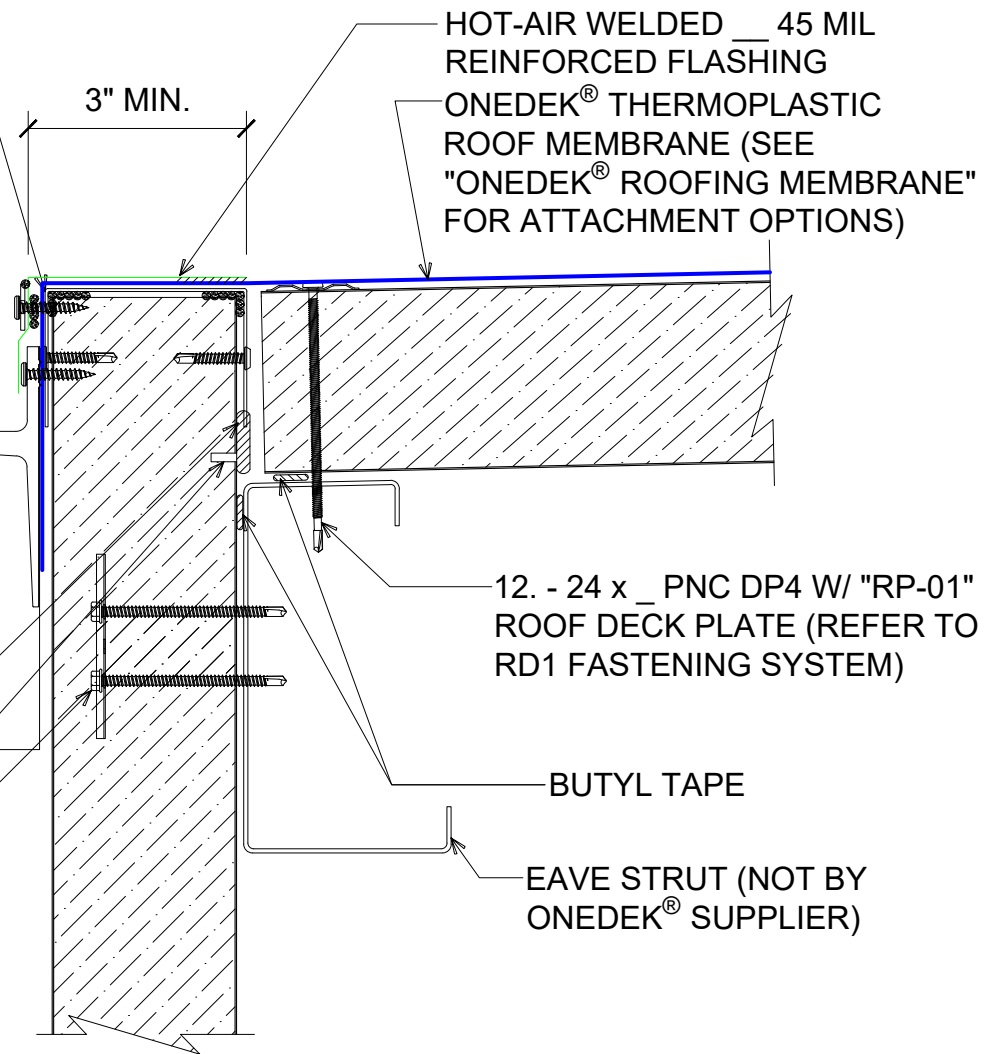


"BC-03" 20 GA CHANNEL CAP W/ 14. - 13 x 1.5" TRU DP1 12" O/C. W/ BUTYL SEALANT AT FLANGES (MARRY TO VERTICAL SEALANT)

NOTE: REFER TO DETAIL _E FOR EDGE METAL ASSEMBLY INFORMATION.

NOTE: BUTYL SEALANT AT WALL JOINERY NOT SHOWN FOR CLARITY. ENSURE ALL SEALANTS MARRY TO CREATE A THERMAL ENVELOPE.

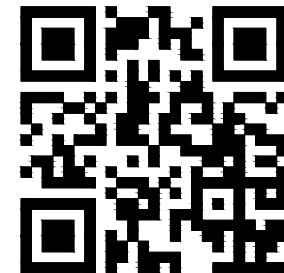
FILL VOID WITH ONE-PART EXPANDING FOAM SEALANT CONTINUOUS THERMAL CUT FOR COLD STORAGE APPLICATIONS
 "WC-01" PANEL CLIP W/ () 1/4 - 14 x _ HWH DP3 W/O WASHER AT PANEL JOINT



GUTTER W/ PERIMETER EDGE METAL

(SECTION VIEW)

CLICK HERE



DETAIL:	GUTTER W/ PERIMETER EDGE METAL		SHEET:	1	OF	1
	APPLICATION:	RD1 ROOF DECK, COMMERCIAL & INDUSTRIAL, COLD-STORAGE	DATE:	09/10/24	DRAWN BY:	MMF
929 ALDRIDGE ROAD VACAVILLE, CA 95688 TEL: (707) 359-2280 FAX: (707) 359-2286 WWW.AWIPANELS.COM						

"BC-03" 20 GA CHANNEL CAP W/ 14. - 13
x 1.5" TRU DP1 12" O/C. W/ BUTYL
SEALANT AT FLANGES (MARRY TO
VERTICAL SEALANT)

POLYETHER SEALANT

CB-90 TERMINATION BAR x 10'-0"

BUTYL SEALANT

2-PIECE EXTRUDED
ALUM. BRACKET 1" WIDE
@ 2'-0" O/C

WR GUTTER - 7 3/4", FORMED IN
12'-0" LENGTHS W/
CONCEALED SPLICES, 6" WIDE

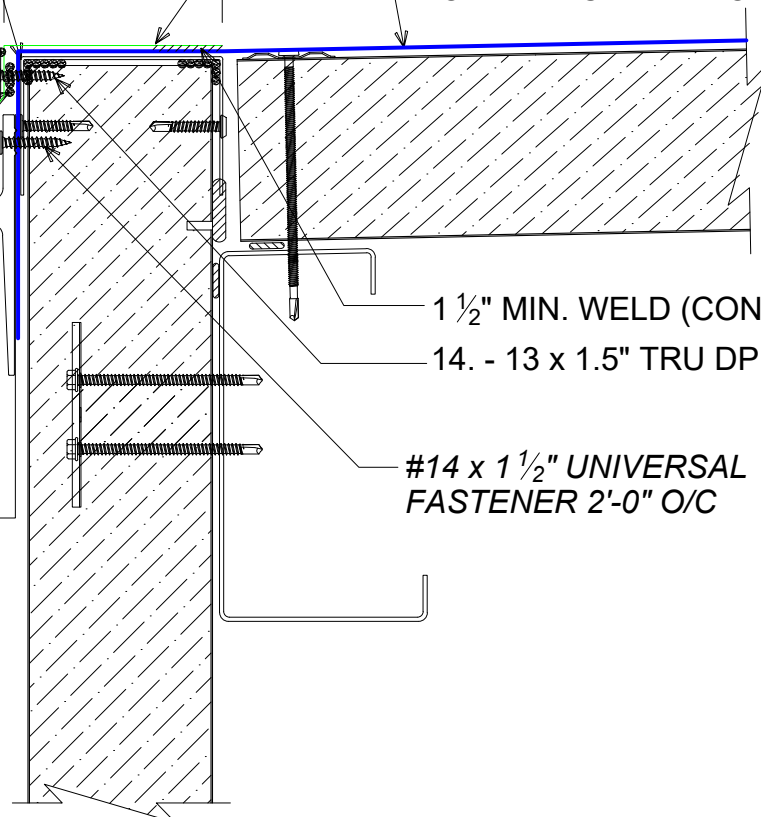
3" MIN.

HOT-AIR WELDED __ 45 MIL
REINFORCED FLASHING
ONEDEK® THERMOPLASTIC
ROOF MEMBRANE (SEE
"ONEDEK® ROOFING MEMBRANE"
FOR ATTACHMENT OPTIONS)

1 1/2" MIN. WELD (CONTINUOUS)

14. - 13 x 1.5" TRU DP1 6" O/C

#14 x 1 1/2" UNIVERSAL
FASTENER 2'-0" O/C



#E GUTTER W/ PERIMETER EDGE METAL

(SECTION VIEW)

DETAIL:	GUTTER W/ PERIMETER EDGE METAL, WR 7 3/4"		SHEET:	1 OF 1
	APPLICATION:	RD1 ROOF DECK, COMMERCIAL & INDUSTRIAL, COLD-STORAGE	DATE:	09/10/24
			DRAWN BY:	MMF
			AWIP DETAIL NUMBER:	RDR-CICS-EG-002

929 ALDRIDGE ROAD
VACAVILLE, CA 95688
TEL: (707) 359-2280
FAX: (707) 359-2286
WWW.AWIPANELS.COM

