

WOOD NAILER BY OTHERS  
(NOT BY ONEDEK® SUPPLIER)

FILL VOID WITH ONE-PART  
EXPANDING FOAM SEALANT  
(NOT BY ONEDEK® SUPPLIER)

WALL SYSTEM BY OTHERS  
(NOT BY ONEDEK® SUPPLIER)

ONEDEK® THERMOPLASTIC  
ROOF MEMBRANE  
(SEE "ONEDEK® ROOFING  
MEMBRANE" FOR ATTACHMENT  
OPTIONS)

#12 - 24 x \_" TRUFast  
PURLIN FASTENERS W/  
"RP-01" ROOF DECK  
PLATE \_" O/C

BUTYL TAPE

SECONDARY FRAMING  
& RAKE ANGLE BY  
OTHERS (NOT BY  
ONEDEK® SUPPLIER)

# # PERIMETER EDGE METAL (RAKE)

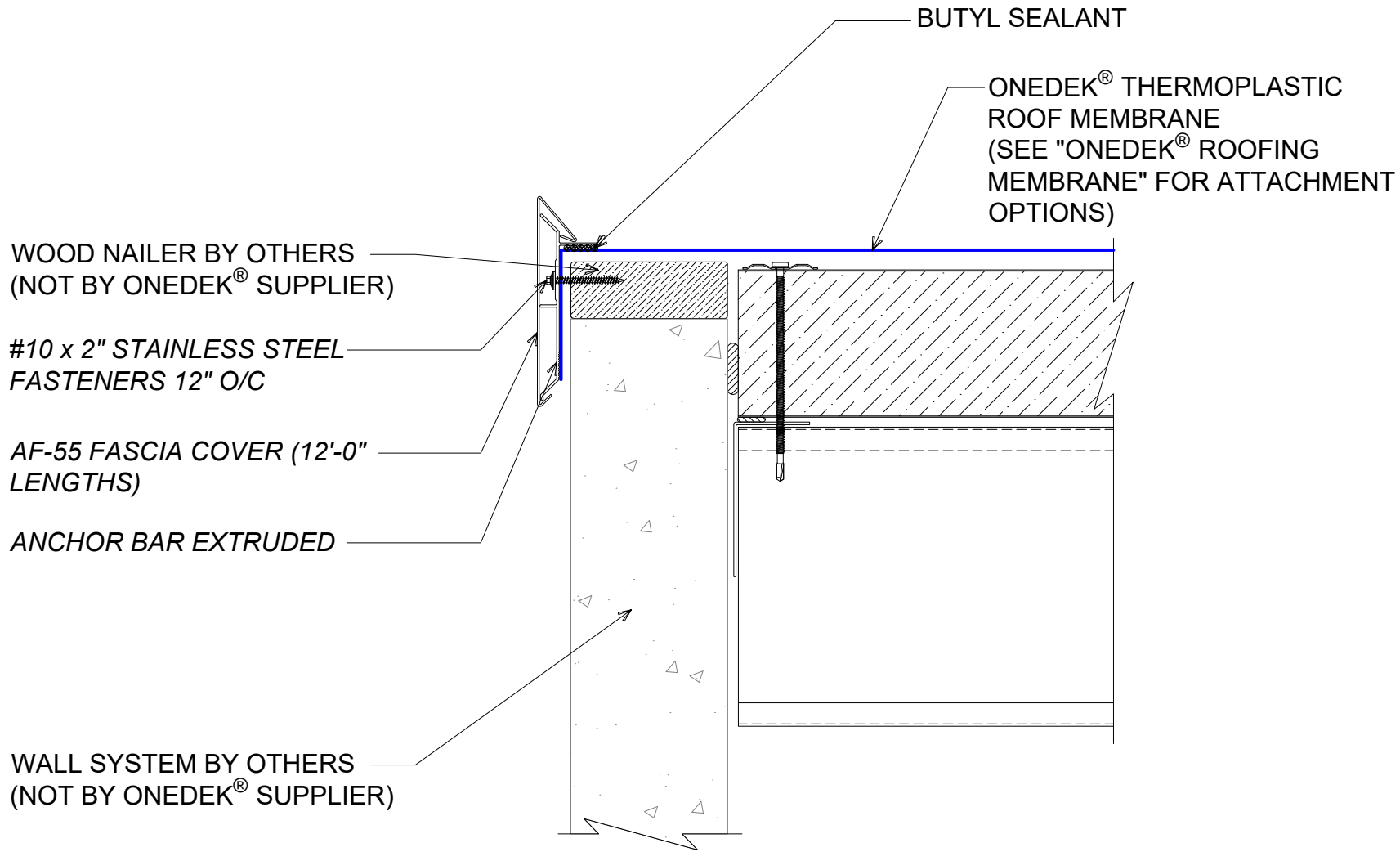
(SECTION VIEW)



DETAIL: **DRAINING PERIMETER EDGE METAL (RAKE)**

929 ALDRIDGE ROAD  
VACAVILLE, CA 95688  
TEL: (707) 359-2280  
FAX: (707) 359-2286  
WWW.AWIPANELS.COM





# #E PERIMETER EDGE METAL (RAKE)

(SECTION VIEW)

DETAIL:

**DRAINING PERIMETER EDGE METAL (RAKE), AF-55**

APPLICATION:  
RD1 ROOF DECK, COMMERCIAL & INDUSTRIAL, COLD-STORAGE  
AWIP DETAIL NUMBER:  
RDR-C/ICS-WBO-001

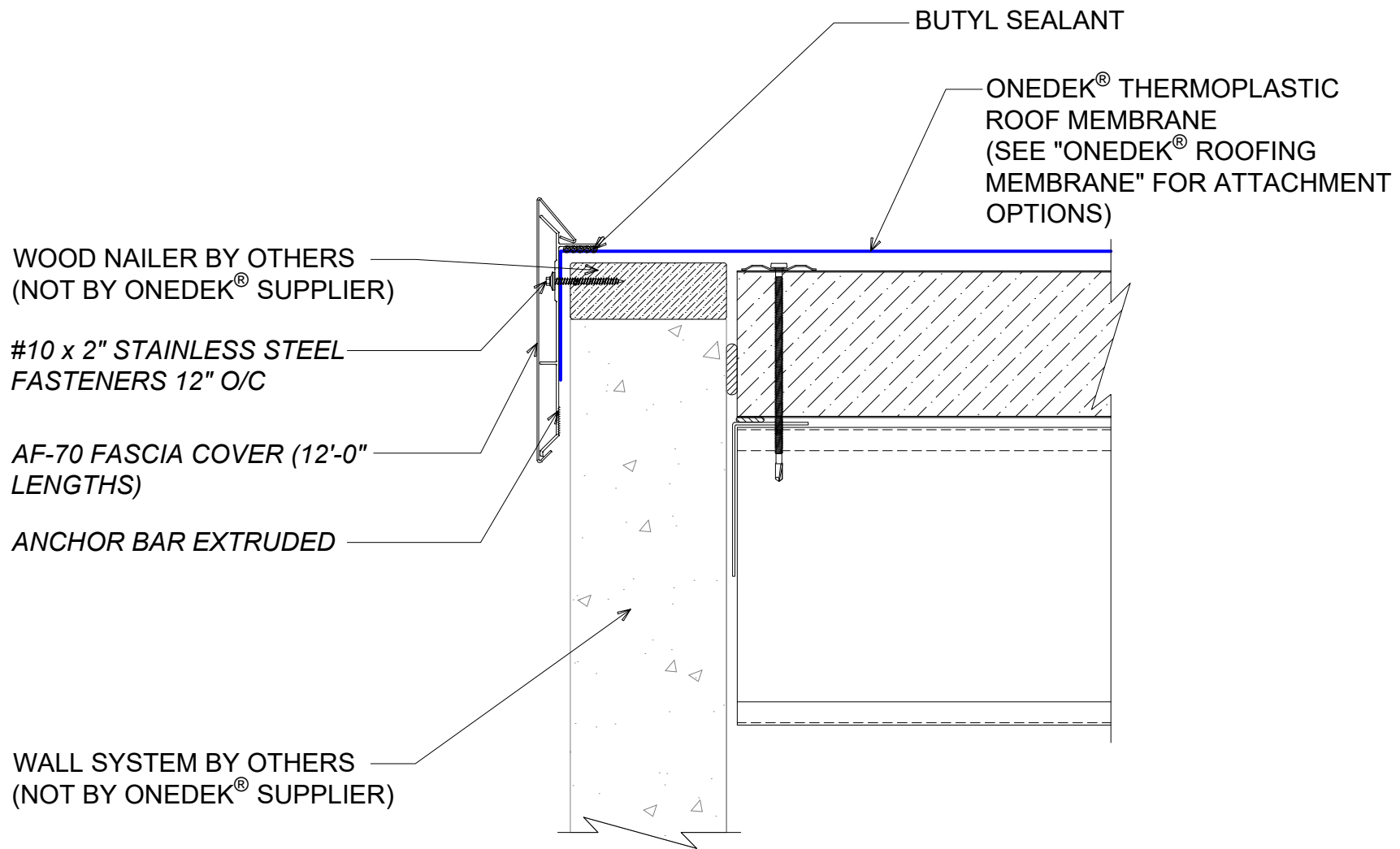
DATE:  
02/07/23  
DRAWN BY:  
MMF

SHEET:  
**1**  
OF  
**1**

929 ALDRIDGE ROAD  
VACAVILLE, CA 95688  
TEL: (707) 359-2280  
FAX: (707) 359-2286  
WWW.AWIPANELS.COM

**All Weather**  
Insulated Panels





# #E PERIMETER EDGE METAL (RAKE)

(SECTION VIEW)

DETAIL: **DRAINING PERIMETER EDGE METAL (RAKE), AF-70**

APPLICATION:	DATE:	SHEET:
RD1 ROOF DECK, COMMERCIAL & INDUSTRIAL, COLD-STORAGE	02/07/23	1
AWIP DETAIL NUMBER:	DRAWN BY:	OF 1
RDR-CICS-WBO-001	MMF	

929 ALDRIDGE ROAD  
 VACAVILLE, CA 95688  
 TEL: (707) 359-2280  
 FAX: (707) 359-2286  
 WWW.AWIPANELS.COM

