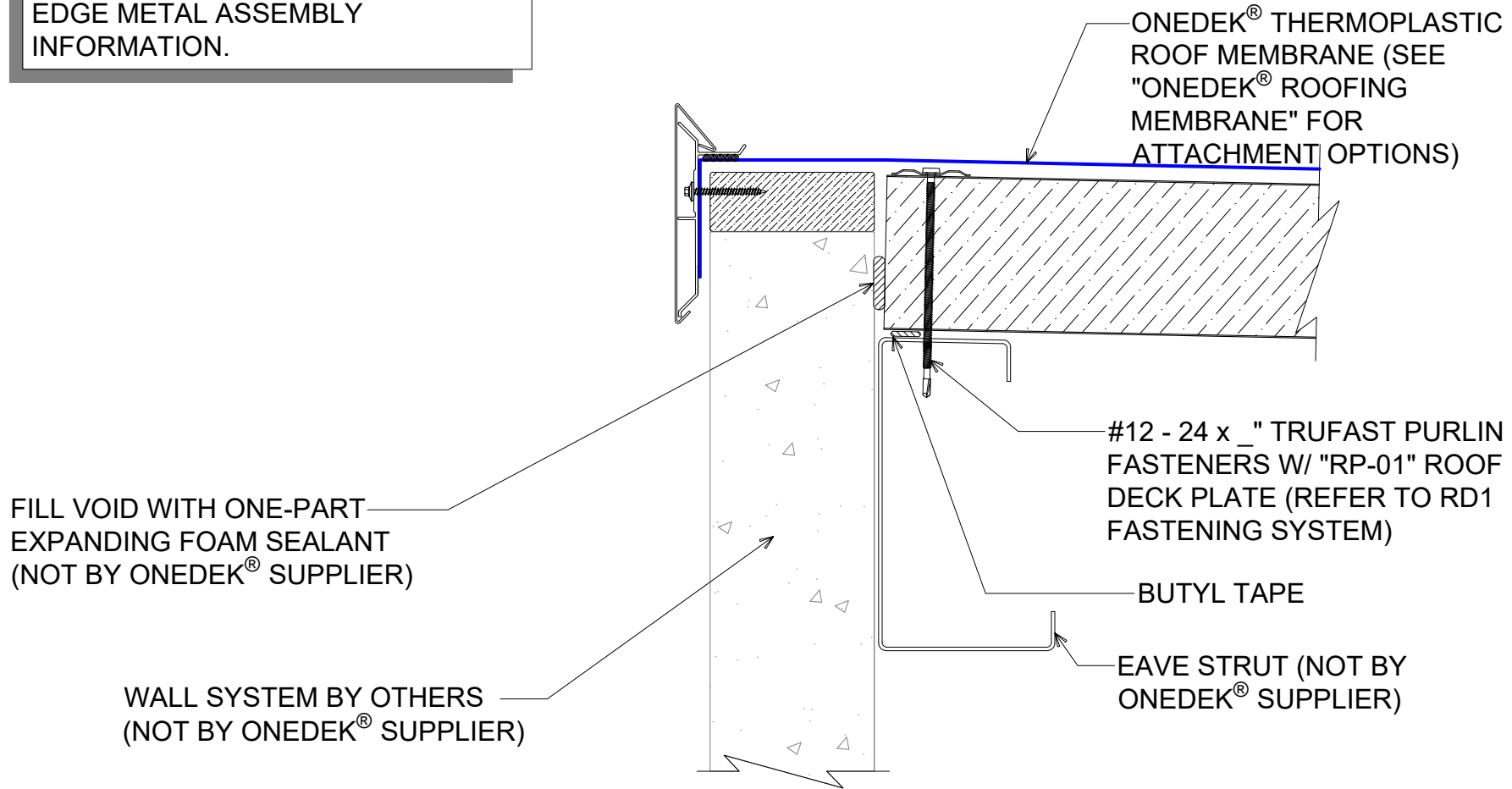


NOTE: REFER TO DETAIL _E FOR
EDGE METAL ASSEMBLY
INFORMATION.



PERIMETER EDGE METAL (HIGH EAVE)

(SECTION VIEW)



DETAIL: PERIMETER EDGE METAL (HIGH EAVE)

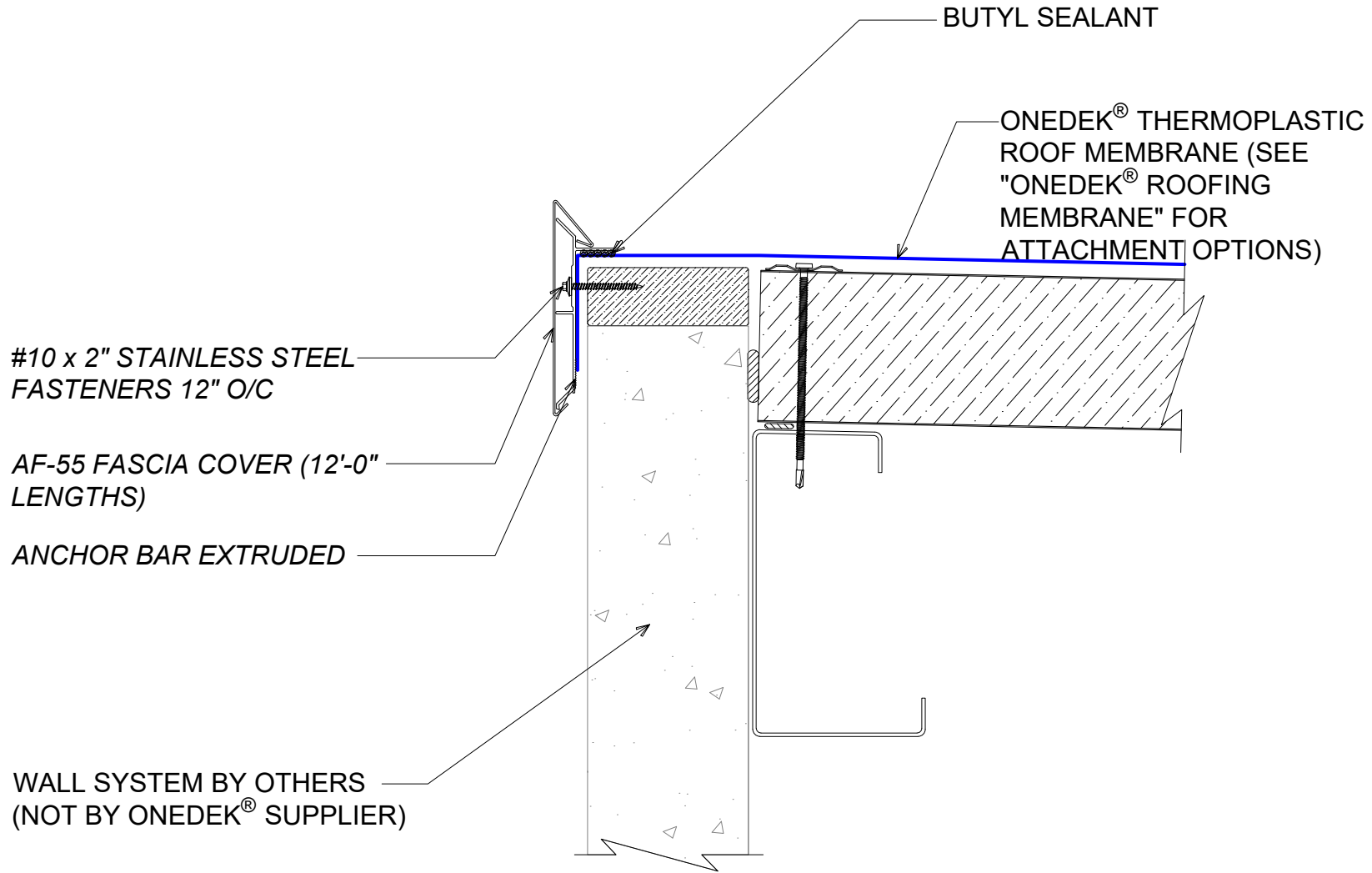
929 ALDRIDGE ROAD
VACAVILLE, CA 95688
TEL: (707) 359-2280
FAX: (707) 359-2286
WWW.AWIPANELS.COM

All Weather
Insulated Panels



APPLICATION: RD1 ROOF DECK, COMMERCIAL & INDUSTRIAL, COLD-STORAGE
AWIP DETAIL NUMBER: RDR-CJCS-WBO-008

DATE: 02/07/23
DRAWN BY: MMF
SHEET: 1 OF 1



#E PERIMETER EDGE METAL (HIGH EAVE)

(SECTION VIEW)

DETAIL:

PERIMETER EDGE METAL (HIGH EAVE), AF-55

APPLICATION:
RD1 ROOF DECK, COMMERCIAL & INDUSTRIAL, COLD-STORAGE
AWIP DETAIL NUMBER:
RDR-CICS-WBO-008

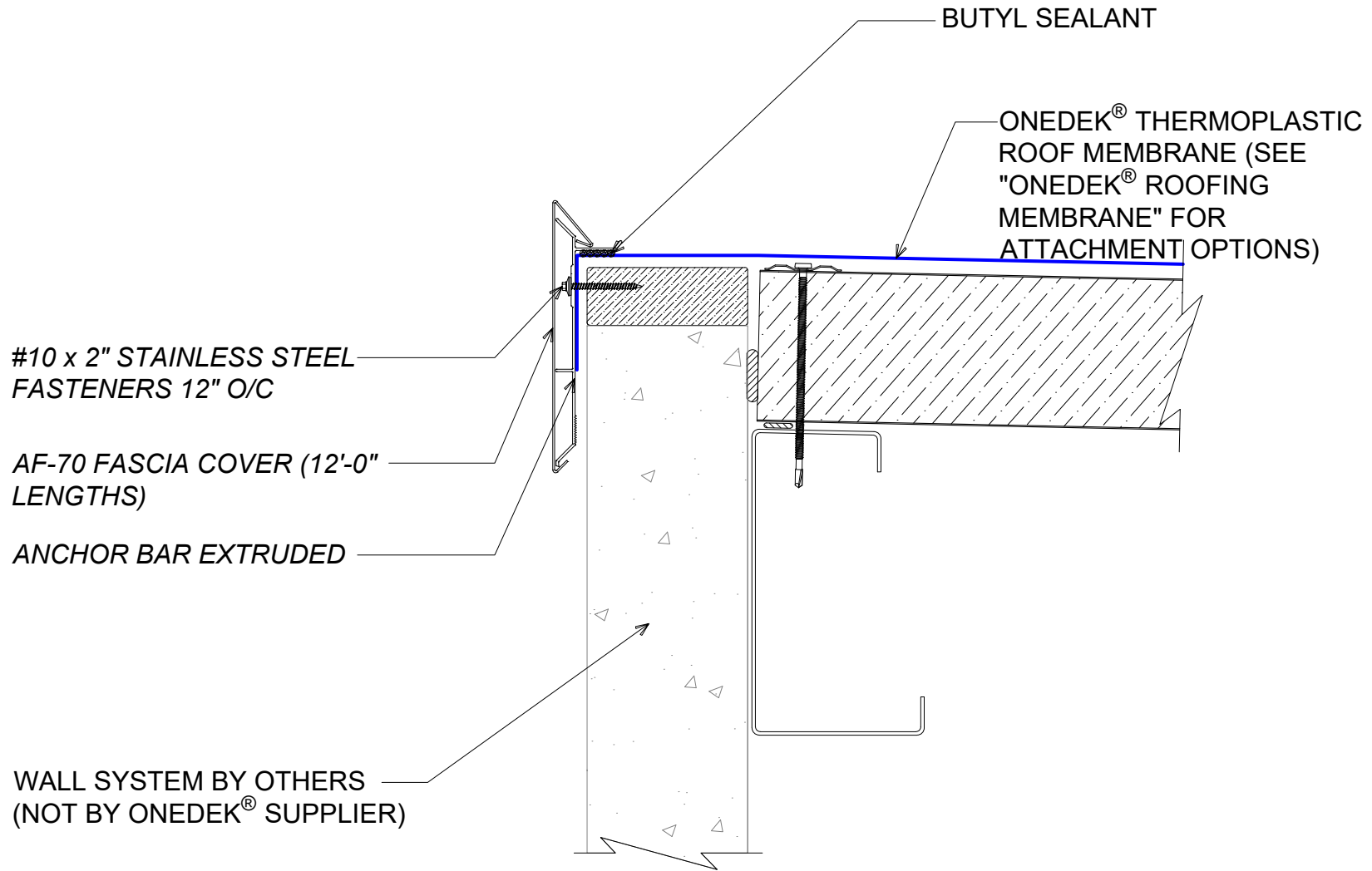
DATE: 02/07/23
DRAWN BY: MMF

SHEET:

1 OF 1

929 ALDRIDGE ROAD
VACAVILLE, CA 95688
TEL: (707) 359-2280
FAX: (707) 359-2286
WWW.AWIPANELS.COM





#E PERIMETER EDGE METAL (HIGH EAVE)

(SECTION VIEW)

DETAIL: PERIMETER EDGE METAL (HIGH EAVE), AF-70

APPLICATION: RD1 ROOF DECK, COMMERCIAL & INDUSTRIAL, COLD-STORAGE
 AWIP DETAIL NUMBER: RDR-C/ICS-WBO-008

DATE: 02/07/23
 DRAWN BY: MMF
 SHEET: 1 OF 1

929 ALDRIDGE ROAD
 VACAVILLE, CA 95688
 TEL: (707) 359-2280
 FAX: (707) 359-2286
 WWW.AWIPANELS.COM

