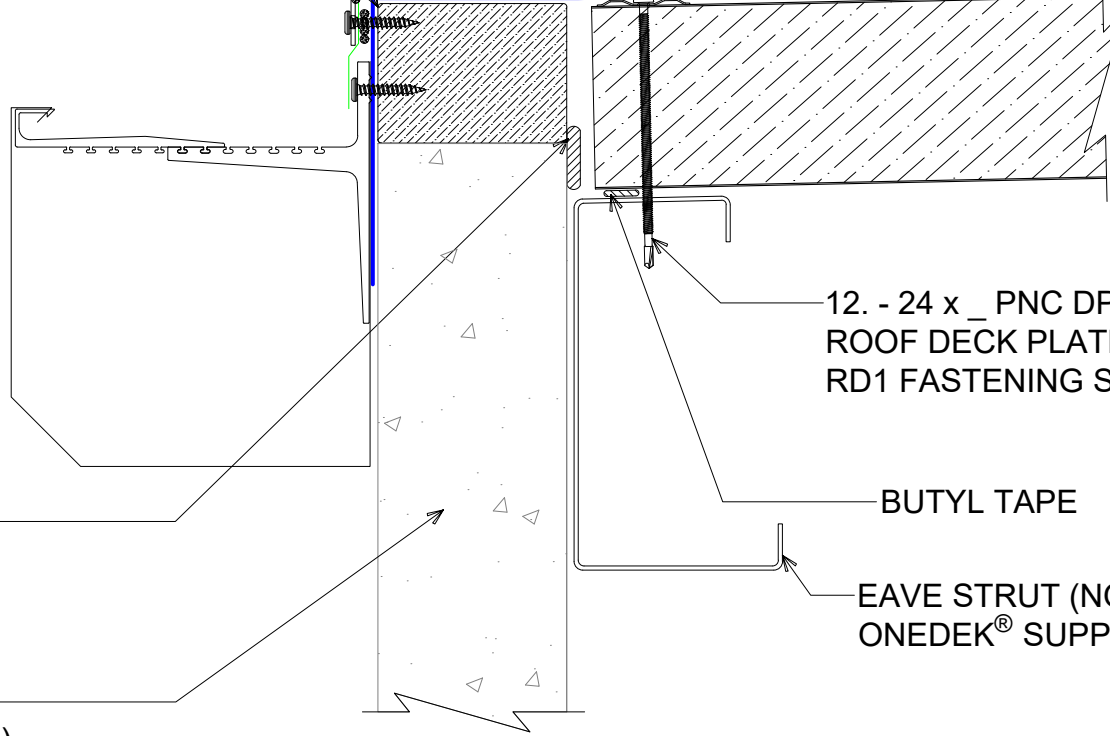


WOOD NAILER BY OTHERS  
(NOT BY ONEDEK® SUPPLIER)

NOTE: REFER TO DETAIL \_E FOR EDGE  
METAL ASSEMBLY INFORMATION.

3" MIN.

HOT-AIR WELDED \_\_ 45 MIL  
REINFORCED FLASHING  
ONEDEK® THERMOPLASTIC  
ROOF MEMBRANE (SEE  
"ONEDEK® ROOFING MEMBRANE"  
FOR ATTACHMENT OPTIONS)



FILL VOID WITH ONE-PART  
EXPANDING FOAM SEALANT

12. - 24 x \_ PNC DP4 W/ "RP-01"  
ROOF DECK PLATE (REFER TO  
RD1 FASTENING SYSTEM)

BUTYL TAPE

EAVE STRUT (NOT BY  
ONEDEK® SUPPLIER)

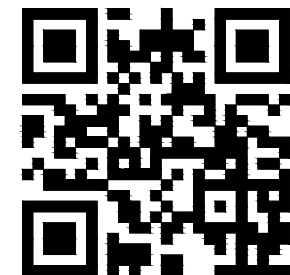
WALL SYSTEM BY OTHERS  
(NOT BY ONEDEK® SUPPLIER)

DETAIL: GUTTER W/ PERIMETER EDGE METAL		SHEET: 1 OF 1
APPLICATION: RD1 ROOF DECK, COMMERCIAL & INDUSTRIAL, COLD-STORAGE AWIP DETAIL NUMBER: RDR-CICS-WBO-004	DATE: 09/10/24	DRAWN BY: MMF

# # GUTTER W/ PERIMETER EDGE METAL

(SECTION VIEW)

CLICK HERE



929 ALDRIDGE ROAD  
VACAVILLE, CA 95688  
TEL: (707) 359-2280  
FAX: (707) 359-2286  
WWW.AWIPANELS.COM



WOOD NAILER BY OTHERS  
(NOT BY ONEDEK® SUPPLIER)

POLYETHER SEALANT

CB-90 TERMINATION BAR x 10'-0"

3" MIN.

HOT-AIR WELDED \_\_ 45 MIL  
REINFORCED FLASHING  
ONEDEK® THERMOPLASTIC  
ROOF MEMBRANE (SEE  
"ONEDEK® ROOFING MEMBRANE"  
FOR ATTACHMENT OPTIONS)

2-PIECE EXTRUDED  
ALUM. BRACKET 1" WIDE  
@ 2'-0" O/C

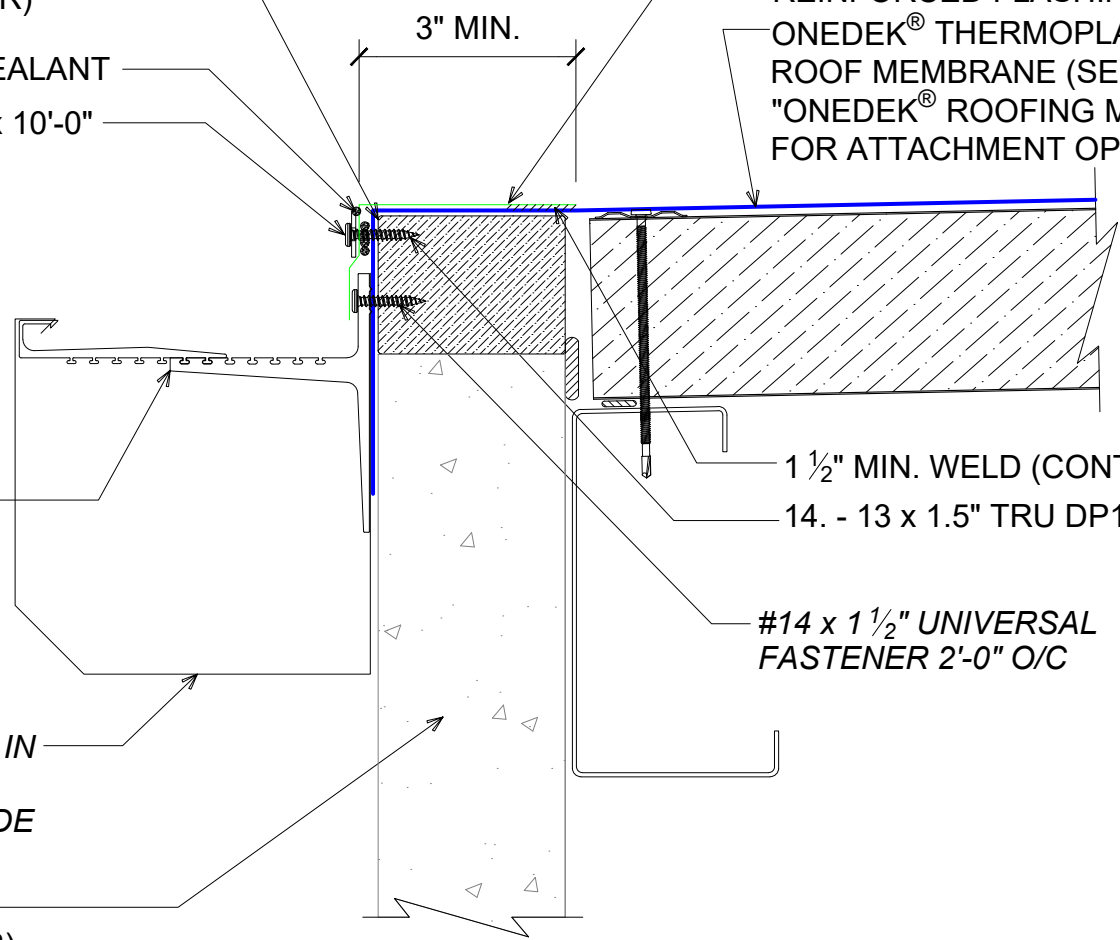
1 1/2" MIN. WELD (CONTINUOUS)

14. - 13 x 1.5" TRU DP1 6" O/C

#14 x 1 1/2" UNIVERSAL  
FASTENER 2'-0" O/C

WR GUTTER - 7 3/4", FORMED IN  
12'-0" LENGTHS W/  
CONCEALED SPLICES, 6" WIDE

WALL SYSTEM BY OTHERS  
(NOT BY ONEDEK® SUPPLIER)



# #E GUTTER W/ PERIMETER EDGE METAL

(SECTION VIEW)

DETAIL:

GUTTER W/ PERIMETER EDGE METAL, CHAMFER VERSION 7 3/4"

APPLICATION: RD1 ROOF DECK, COMMERCIAL & INDUSTRIAL, COLD-STORAGE

DATE: 09/10/24

SHEET:

1 OF 1

DRAWN BY: MMF

AWIP DETAIL NUMBER: RDR-C/ICS-WBO-004

929 ALDRIDGE ROAD  
VACAVILLE, CA 95688  
TEL: (707) 359-2280  
FAX: (707) 359-2286  
WWW.AWIPANELS.COM

